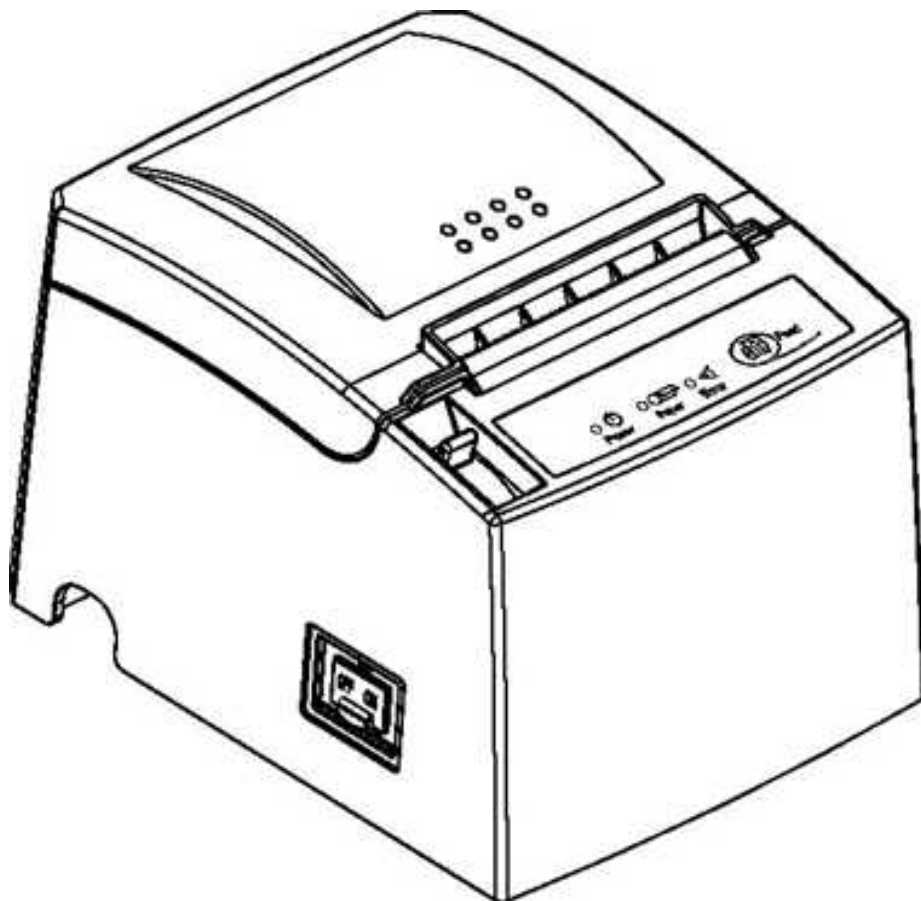


# User Manual

## **1 Station Thermal Line Receipt Printer**

**Model: WP-T810**

**Version: 1.04**



# *WP-T810 Thermal Printer*

## **Index**

<b>1 General Description .....</b>	<b>6</b>
<b>1.1 Overview .....</b>	<b>6</b>
<b>1.2 Feature .....</b>	<b>6</b>
<b>1.3 Accessories .....</b>	<b>7</b>
<b>2 Specifications.....</b>	<b>8</b>
<b>2.1 Main Specifications .....</b>	<b>8</b>
<b>2.2 Operating Specifications .....</b>	<b>10</b>
<b>3 External Appearance and Descriptions.....</b>	<b>11</b>
<b>4 Installations.....</b>	<b>12</b>
<b>4.1 How to Connect Power Adapter .....</b>	<b>12</b>
<b>4.2 How to Connect Cash Drawer .....</b>	<b>13</b>
<b>4.3 How to Connect USB Connector .....</b>	<b>14</b>
<b>4.4 How to Load Thermal Paper .....</b>	<b>15</b>
<b>5 Control Panel.....</b>	<b>17</b>
<b>5.1 Basic Operation .....</b>	<b>17</b>
<b>5.2 Switch Operation (Combined Switch Operation).....</b>	<b>19</b>
<b>5.3 Setting.....</b>	<b>21</b>
<b>6 Interface Specifications .....</b>	<b>24</b>
<b>6.1 Changing the Interface Card .....</b>	<b>24</b>

# *WP-T810 Thermal Printer*

<b>6.2 Serial Interface Specifications .....</b>	<b>25</b>
<b>6.3 Parallel interface specifications.....</b>	<b>26</b>
<b>6.4 USB Interface Specifications.....</b>	<b>27</b>
<b>7 Cash Drawer Connector .....</b>	<b>28</b>
<b>8 Commands .....</b>	<b>29</b>
<b>9 Character Code Tables .....</b>	<b>35</b>
<b>9.1 International Character sets.....</b>	<b>35</b>
<b>9.2 Characters: 00H to 7FH .....</b>	<b>36</b>
<b>9.3 Code Page 0: PC437 (USA, European Standard) .....</b>	<b>37</b>
<b>9.4 Code Page 1: Katakana (Japanese).....</b>	<b>38</b>
<b>9.5 Code Page 2: PC850 (Multilingual).....</b>	<b>39</b>
<b>9.6 Code Page 3: PC860 (Portuguese) .....</b>	<b>40</b>
<b>9.7 Code Page 4: PC863 (Canadian-French).....</b>	<b>41</b>
<b>9.8 Code Page 5: PC865 (Nordic) .....</b>	<b>42</b>
<b>9.9 Code Page 11: PC851 (Greek) .....</b>	<b>43</b>
<b>9.10 Code Page 12: PC853 (Turkish).....</b>	<b>44</b>
<b>9.11 Code Page 13: PC857 (Turkish).....</b>	<b>45</b>
<b>9.12 Code Page 14: PC737 (Greek) .....</b>	<b>46</b>
<b>9.13 Code Page 15: ISO8859-7 (Greek) .....</b>	<b>47</b>
<b>9.14 Code Page 16: WPC1252 (Windows Latin 1).....</b>	<b>48</b>

## *WP-T810 Thermal Printer*

<b>9.15 Code Page 17: PC866 (Russian)</b> .....	<b>49</b>
<b>9.16 Code Page 18: PC852 (Slavonic)</b> .....	<b>50</b>
<b>9.17 Code Page 19: PC858 (Multilingual with Euro Symbol)</b> ...	<b>51</b>
<b>9.18 Code Page 20: KU42 (Thai)</b> .....	<b>52</b>
<b>9.19 Code Page 21: TIS11 (Thai)</b> .....	<b>53</b>
<b>9.20 Code Page 22: TIS13 (Thai)</b> .....	<b>54</b>
<b>9.21 Code Page 23: TIS14 (Thai)</b> .....	<b>55</b>
<b>9.22 Code Page 24: TIS16 (Thai)</b> .....	<b>56</b>
<b>9.23 Code Page 25: TIS17 (Thai)</b> .....	<b>57</b>
<b>9.24 Code Page 26: TIS18 (Thai)</b> .....	<b>58</b>
<b>9.25 Code Page 30: TCVN-3 (Vietnamese)</b> .....	<b>59</b>
<b>9.26 Code Page 31: TCVN-3 (Vietnamese)</b> .....	<b>60</b>
<b>9.27 Code Page 32: PC720 (Arabic)</b> .....	<b>61</b>
<b>9.28 Code Page 33: WPC775 (Baltic)</b> .....	<b>62</b>
<b>9.29 Code Page 34: PC855 (Cyrillic)</b> .....	<b>63</b>
<b>9.30 Code Page 35: PC861 (Iceland)</b> .....	<b>64</b>
<b>9.31 Code Page 36: PC862 (Hebrew)</b> .....	<b>65</b>
<b>9.32 Code Page 37: PC864 (Arabic)</b> .....	<b>66</b>
<b>9.33 Code Page 38: PC869 (Greek)</b> .....	<b>67</b>

## *WP-T810 Thermal Printer*

<b>9.34 Code Page 39: ISO8859-2 (Central European) .....</b>	<b>68</b>
<b>9.35 Code Page 40: ISO8859-15 (Latin 9) .....</b>	<b>69</b>
<b>9.36 Code Page 41: PC1098 (Farsi) .....</b>	<b>70</b>
<b>9.37 Code Page 42: PC1118 (Lithuanian) .....</b>	<b>71</b>
<b>9.38 Code Page 43: PC1119 (Lithuanian) .....</b>	<b>72</b>
<b>9.39 Code Page 44: PC1125 (Ukrainian) .....</b>	<b>73</b>
<b>9.40 Code Page 45: WPC1250 (Central European) .....</b>	<b>74</b>
<b>9.41 Code Page 46: WPC1251 (Cyrillic) .....</b>	<b>75</b>
<b>9.42 Code Page 47: WPC1253 (Greek) .....</b>	<b>76</b>
<b>9.43 Code Page 48: WPC1254 (Turkish) .....</b>	<b>77</b>
<b>9.44 Code Page 49: WPC1255 (Hebrew) .....</b>	<b>78</b>
<b>9.45 Code Page 50: WPC1256 (Arabic) .....</b>	<b>79</b>
<b>9.46 Code Page 51: WPC1257 (Baltic) .....</b>	<b>80</b>
<b>9.47 Code Page 52: WPC1258 (Vietnamese) .....</b>	<b>81</b>
<b>9.48 Code Page 53: KZ1048 (Kazakhstan) .....</b>	<b>82</b>
<b>10 External Dimensions .....</b>	<b>83</b>

# *WP-T810 Thermal Printer*

## **1 General Description**

### **1.1 Overview**

The WP-T810 thermal line thermal receipt printer is designed for use with ECR, POS Terminal, electronic instruments, computer peripheral equipment, kitchen printer, and so on.

### **1.2 Feature**

- 1 Compact desktop Line Thermal printer.
- 2 Easy loading designed for dropping the paper roll
- 3 Built-in USB and interface conformity to RS-232C, centronics and Ethernet for different applications depends on which interface card is inserted into the printer.
- 4 Command protocol is compatible with ESC/POS.
- 5 2 drawer kick-out.
- 6 The resident data buffer has storage capacity of about 4K-bytes, enable data to be received even while printing.
- 7 Support download bit image, directly bit image and bar-code printing.
- 8 The sensors include paper end, paper near end and cover sensor.

# *WP-T810 Thermal Printer*

## **1.3 Accessories**

<b>Item</b>	<b>Unit</b>
Paper roll / 80mm (width) x 70mm (diameter)	(1 roll)
Power adapter	(1 unit)
Power cord	(1 unit)
User's manual and driver CD	(1 unit)
Paper divider for 58mm (width) thermal paper	(1 unit)
Option	
Cable for RS-232C (packed with RS-232C interface version)	(1 unit)
Cable for Centronics (packed with Centronics interface version)	(1 unit)
Cable for USB (packed with USB interface version)	(1 unit)

# WP-T810 Thermal Printer

## 2 Specifications

### 2.1 Main Specifications

Item		Description		
1	Printing method	Thermal line		
2	Printing speed	Approx. 220 mm/s		
3	Command	ESC/POS		
4	Driver	Linux, Windows and OPOS		
5	Character structure	Alphanumeric (A)	Alphanumeric (B)	Kanji
		12 x 24	9 x 17	24 x 24
6	Columns 80mm/58mm	48 / 34 columns	64 / 45 columns	24 / 17 columns
7	Character size	1.50(W) x 3.00(H)	1.13(W) x 2.13(H)	3.00(W) x 3.00(H)
8	Density	203dpi		
9	Fonts	Multilingual code page x 40, Chinese, Japanese, Thai, Korean, Others		
10	Bar Code	UPC-A, UPC-E, EAN13, EAN8, Code39, Code93, Code128, CODABAR, ITF, QR Code.		
11	Detectors	Paper end, Paper near end, Cover, Printer head overheat and Cutter jam		
12	Paper	Singly-ply thermal paper roll		
13	Paper roll size	79.5±0.5 (W) x 83 mm (Dia.)		
14	Paper thickness	0.05 ~ 0.06 mm		
15	Drawer output	2		
16	Reliability	Head	100 km or more	
		Cutter	700,000 times	
17	Memory	Buffer	4K bytes	
		SRAM	256K bytes	
		Flash	1M bytes (NV Image)	
18	Power supply	+24 VDC / 2.5A		
19	Interface	Built-in USB/RS-232, Parallel and Ethernet are optional		
20	Gross weight	2.40 kg		



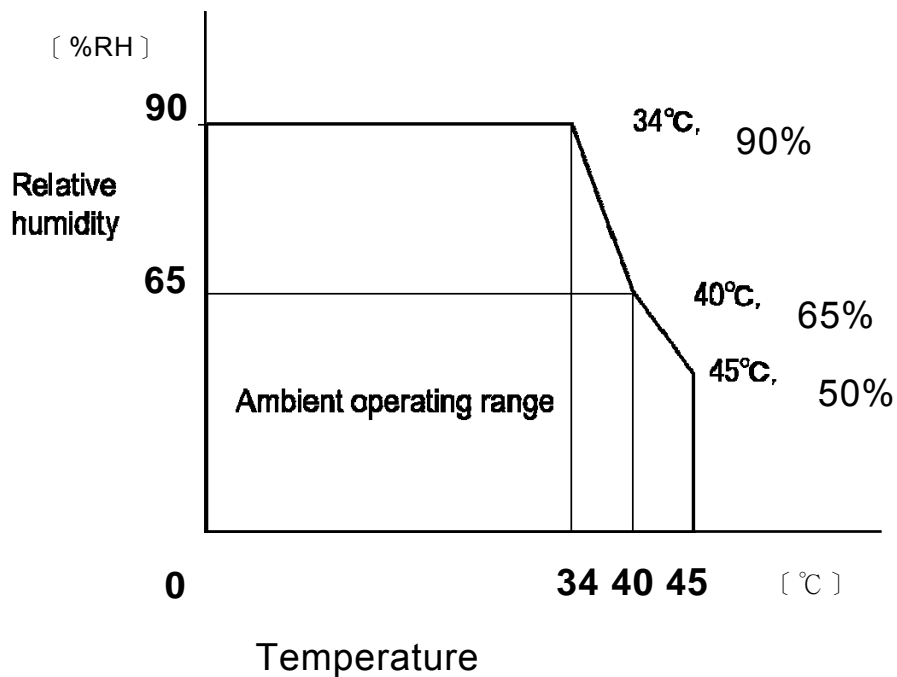
## *WP-T810 Thermal Printer*

21	External dimension		136 (W) x 178 (D) x 123 (H) mm
22	Temperature	Operating	0 ~ 45°C
		Storage	-10 ~ 50°C
23	Humidity	Operating	10 ~ 90 %RH
		Storage	10 ~ 90 %RH

# WP-T810 Thermal Printer

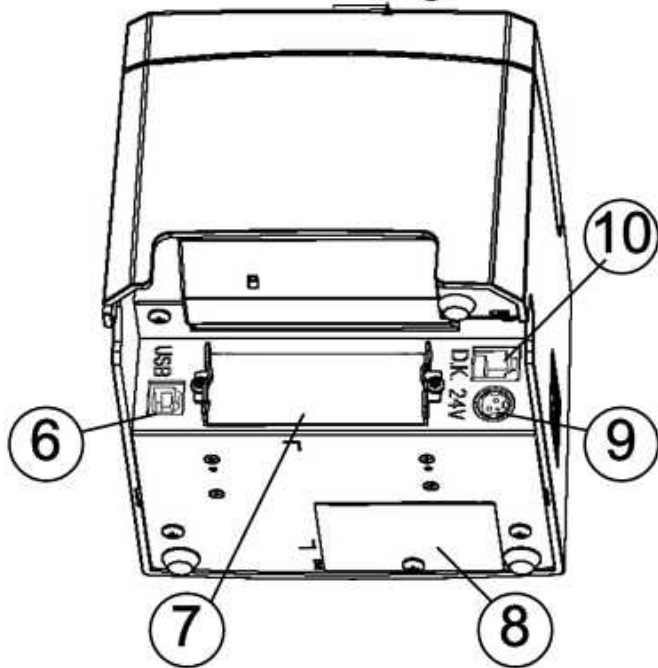
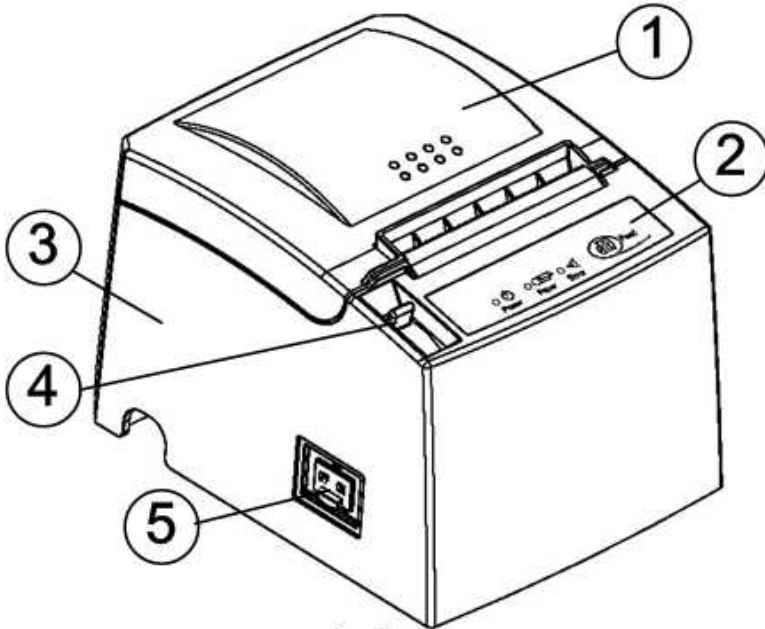
## 2.2 Operating Specifications

Item		Specifications
Temperature/ Humidity	Operating	0 to 45°C (32 to 113°F), 0 to 90% RH no condensation allowed. (Refer to ambient operating ranges in the figure below.)
	Storage:(shipped packed state)	-10 to +50°C (14 to 122°F), 0 to 90% RH (excluding paper)



# WP-T810 Thermal Printer

## 3 External Appearance and Descriptions



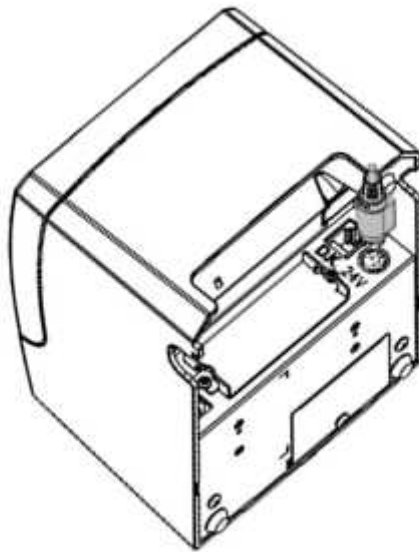
(1)	Printer cover
(2)	Control panel
(3)	Main housing
(4)	Cover open lever
(5)	Power switch
(6)	USB connector
(7)	Interface card
(8)	DIP switch cover
(9)	Power connector
(10)	Cash drawer connector

# WP-T810 Thermal Printer

## 4 Installations

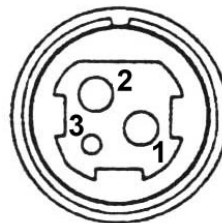
### 4.1 How to Connect Power Adapter

- 1 Ensure that the power switch is OFF.
- 2 Plug the power connector into the printer's power connector.



- 3 Plug the power cord into the outlet, and turn on the power.
- 4 Connector Specifications shows as below.

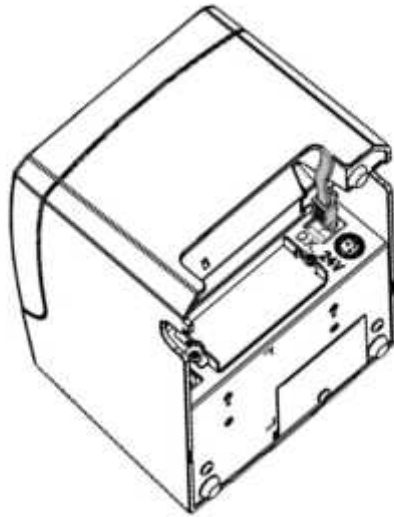
Pin Number	Signal Name
(1)	+24VDC
(2)	GND
(3)	NC
Shell	Frame GND



# *WP-T810 Thermal Printer*

## **4.2 How to Connect Cash Drawer**

- 1 Ensure that the power switch is OFF.
- 2 Plug the connector into the RJ11 phone jack.

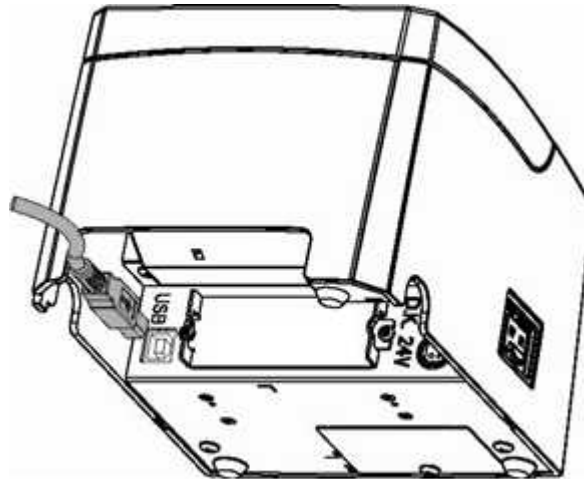


- 3 Note: The voltage for drawer kick out is 24VDC. If voltage of cash drawer is different that may harm the cash drawer.

# *WP-T810 Thermal Printer*

## **4.3 How to Connect USB Connector**

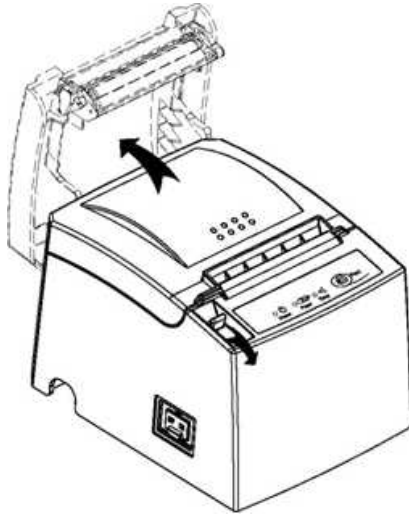
- 1 Ensure that the power switch is OFF.
- 2 Plug B type USB into the USB connector.



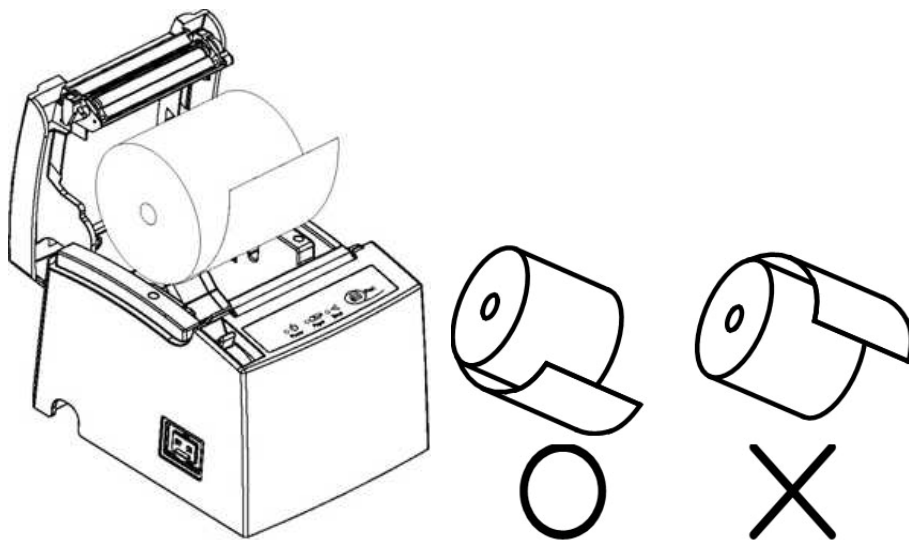
# *WP-T810 Thermal Printer*

## **4.4 How to Load Thermal Paper**

- 1 Pull the cover open lever to open the printer cover.

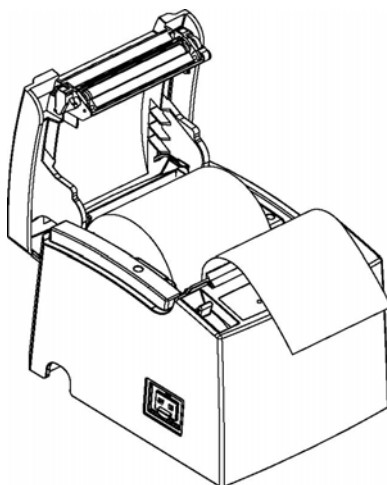


- 2 Remove any used paper roll's core and put the new paper roll.

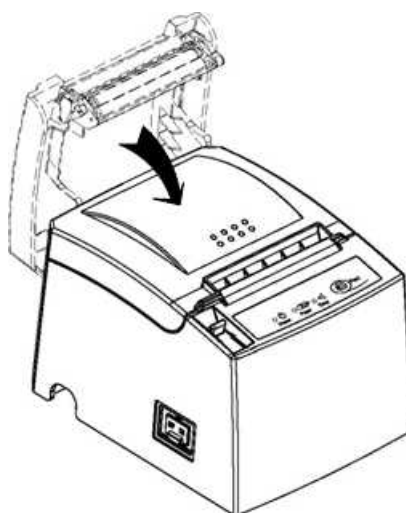


## *WP-T810 Thermal Printer*

- 3 Pull out the thermal paper.



- 4 Close the printer cover.

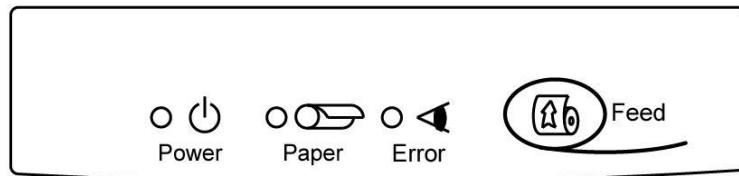




# WP-T810 Thermal Printer

## 5 Control Panel

### 5.1 Basic Operation



#### 1 Feed button

When this push-button switch is pressed once briefly (for 0.5 seconds or less), the paper is fed forward by one line. When it is held down continuously, the paper is fed forward continuously until the switch is released.

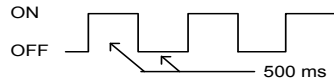
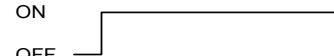
#### 2 Power LED indicator

The light indicates power well connected.

## *WP-T810 Thermal Printer*

### 3 Paper LED indicator

- The indicator remains lighting when paper near end or paper end.
- The indicator keeps sparkling when printer process in self-test or hexadecimal dump mode.
- The flash timing chart shows as below.

<b>Printer status</b>	<b>Blinking Pattern</b>
Self-Testing	
Paper end	

### 4 Error LED indicator

When printer cover is not properly closed or paper jam happen on cutter part or paper is not put properly, the error indicator lamp (red LED) will light.

# WP-T810 Thermal Printer

## 5.2 Switch Operation (Combined Switch Operation)

### 1 Self-printing mode

Turn the power on while holding the feed button depressed. Self-printing receipt will be printed out (Ref. the right receipt).

Self-printing will be performed according to the VER. NO., printer settings and characters etc (Ref. the right receipt). When the feed button is pressed again after self-printing stopped, the printer will print self-printing receipt again.

To turn off this mode, it is necessary to turn off the printer power completely.

```
*** WP-T810 ***
F/W Version: 0.99a
H/W Version: 1.1
Ext. Flash: 4M Bytes
Ext. SRAM: 128K Bytes
Printing Speed: 220mm/s
Command: ESC/POS

Interface: USB, RS-232
          9600,N,8,1,DTR/DSR

Font: USA, 繁體中文 v1.0

!''$%&'()*+,-./0123456789:;<=>?@ABCDEFGHIJKLMNO
PQRSTUVWXYZ[\]^_`abcdefghijklmnopqrstuvwxyz{|}~

!''$%&'()*+,-./0123456789:;<=>?@ABCDEFGHIJKLMNOQRSTUVWXYZ[\]^_
`abcdefghijklmnopqrstuvwxyz{|}~

*** DIP Switches Status ***

      DSW1      DSW2
      12345678  12345678
ON          *** **
OFF ***** * **

1. Select Parity Check
   SW1-5
   OFF: No
   ON : Yes

2. Select Parity Type
   SW1-6
   OFF: Odd
   ON : Even

3. Select Baud Rate
   SW1-7 SW1-8
   OFF  OFF: 9600 bps
   ON   OFF: 19200 bps
   OFF  ON  : 38400 bps
   ON   ON  : 115200 bps

4. Select Handshake Busy
   SW2-1
   OFF: Off line, buffer full
   ON : Buffer full, ASB on

5. Select Printing Speed
   SW2-2
   OFF: 220mm/s
   ON : 150mm/s

6. Select Print Density
   SW2-3 SW2-4
   OFF  OFF: Light
   ON   OFF: |
   OFF  ON  : |
   ON   ON  : Dark

7. Select Error Beep Alarm
   SW2-6
   OFF: Alarm
   ON : Silence

8. Select Paper Width
   SW2-7
   OFF: 80mm
   ON : 58mm

9. Select Default Page Mode
   SW2-8
   OFF: Off
   ON : On

*** Test Completely ***
Press LF key for test again !!
```

# WP-T810 Thermal Printer

## 2 Hexadecimal dump mode

Open printer cover. Turn on power while holding the feed button depressed. Then close printer cover. The printer will be set to hexadecimal mode.

Each of the signals sent from the computer to the printer will be printed out in

hexadecimal code. This function allows user to check control code.

To turn off the mode, it is necessary to turn off the printer completely.

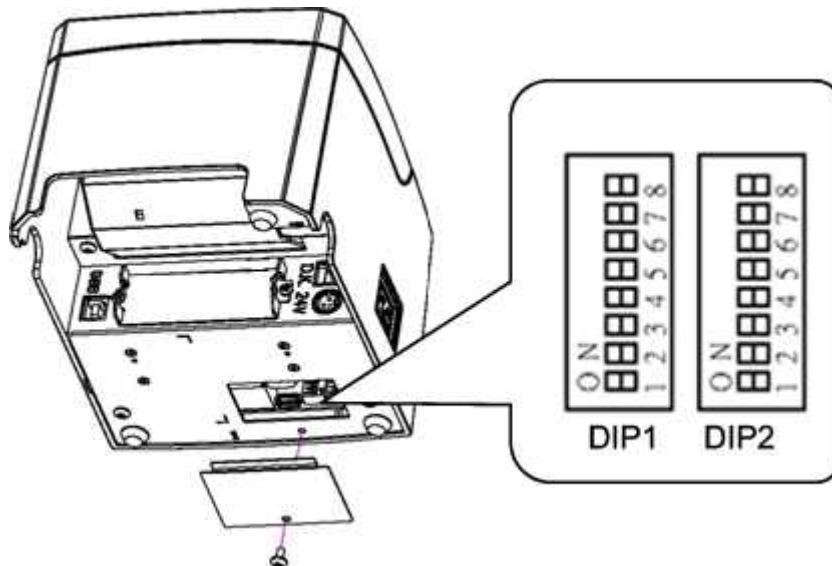
```
=== Hexadecimal Dump ===
```

31	32	33	34	35	36	123456
37	38	39	30	41	42	7890AB
43	44	45	46	47	48	CDEFGH
49	4A	4B	4C	4D	4E	IJKLMN
4F	50	51	52	53	54	OPQRST
55	56	57	58	59	5A	UVWXYZ

# WP-T810 Thermal Printer

## 5.3 Setting

Use screw driver to unlock the DIP switch cover from the printer bottom. The dip-switch appearance is as below and can be adjusted.



### 1 Select handshaking control

SW1-3	Handshaking control
OFF	DTR/DSR
ON	XON/XOFF

### 2 Select parity check

SW1-5	Parity check
OFF	No
ON	Yes

# WP-T810 Thermal Printer

## 3 Select parity type

<b>SW1-6</b>	<b>Parity type</b>
OFF	Odd
ON	Even

## 4 Select baud rate

<b>SW1-7</b>	<b>SW1-8</b>	<b>Baud rate</b>
OFF	OFF	9600 bps
ON	OFF	19200 bps
OFF	ON	38400 bps
ON	ON	115200 bps

## 5 Select handshaking busy condition

<b>SW2-1</b>	<b>Handshaking busy condition</b>
OFF	Off line and receive buffer full
ON	Receive buffer full, ASB on

## 6 Select printing speed

<b>SW2-2</b>	<b>Printing speed</b>
OFF	150 mm/s
ON	220 mm/s

## 7 Select printing density

<b>SW2-3</b>	<b>SW2-4</b>	<b>Printing density</b>
OFF	OFF	Light
ON	OFF	
OFF	ON	
ON	ON	Dark

## *WP-T810 Thermal Printer*

### 8 Select error beep alarm

<b>SW2-6</b>	<b>Error beep alarm</b>
OFF	Silence
ON	Alarm

### 9 Select paper width

<b>SW2-7</b>	<b>Paper width</b>
OFF	80 mm
ON	58 mm

### 10 Select page print mode

<b>SW2-8</b>	<b>Page print mode</b>
OFF	Disable
ON	Enable

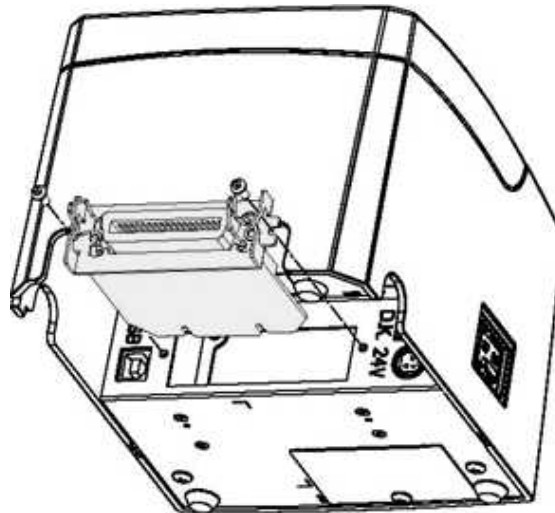
# *WP-T810 Thermal Printer*

## **6 Interface Specifications**

WP-T810 has built-in USB and also provides RS232c, centronics, Ethernet and other interface cards, which is replaceable for more convenient adjustment according to requirement.

### **6.1 Changing the Interface Card**

Turn off the printer and all components connected, remove the 2 screws and the interface card unit. Insert the new interface card unit and screw it.





# WP-T810 Thermal Printer

## 6.2 Serial Interface Specifications

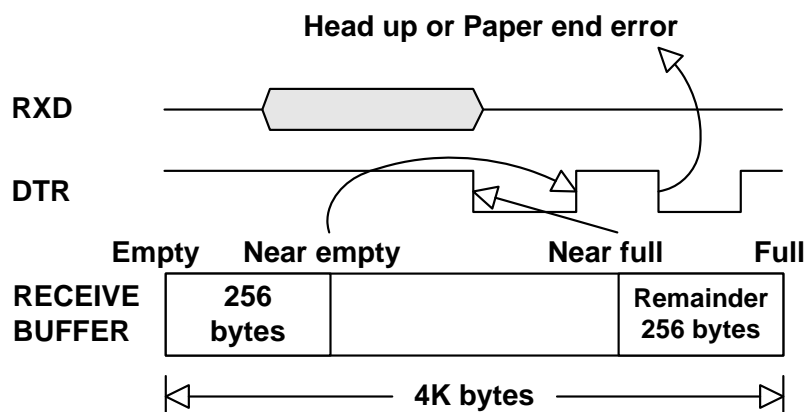
### 1 Specifications (Conform to RS-232C)

Synchronizing system	Asynchronous system
Handshaking	DTR/DSR control
Baud rate	9600,19200,38400,115200 (Refer chapter 5-3)
Data length	7 or 8 bit length
Parity	None, even or odd

### 2 Pin assignment

No.	Signal	I/O	Signal Name
2	TXD	Output	Transmit data
3	RXD	Input	Receive data
6	DSR	Input	Data set ready
20	DTR	Output	Data terminal ready
7	GND	-	Signal ground

### 3 Timing Chart



# WP-T810 Thermal Printer

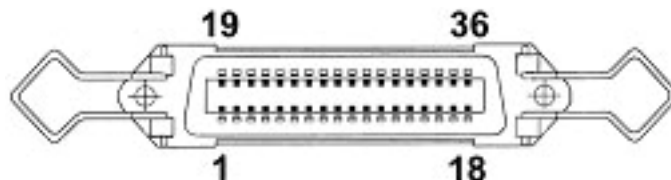
## 6.3 Parallel interface specifications

### 1 Specifications (Conform to Centronics)

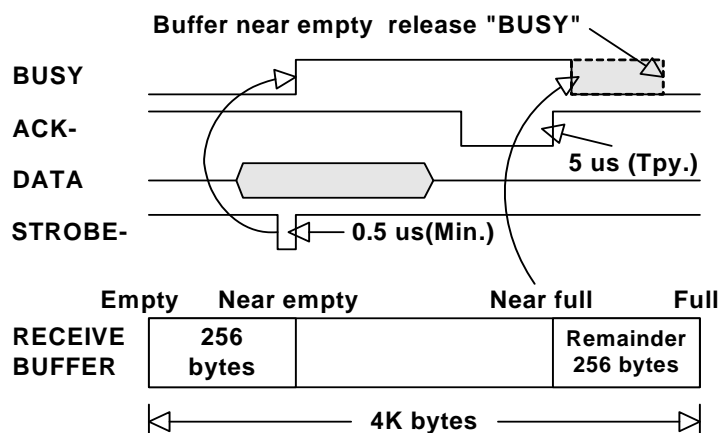
Data transmission format	8-bit parallel
Synchronizing system	According to the strobe pulses
Handshaking	According to the BUSY signal
Signal level	TTL level

### 2 Pin assignment

No.	Signal Name	No.	Signal Name
1	STB-	17	F.G.
2-9	DATA 1 – DATA 8	18	NC
10	ACK-	19-30	TWISTED PAIR GND
11	BUSY	31	RESET-
12	PE	32	FAULT-
13-15	NC	33	GND
16	GND	34-36	NC



### 3 Timing Chart



# WP-T810 Thermal Printer

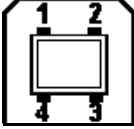
## 6.4 USB Interface Specifications

### 1 Specifications

- USB B type/ female
- USB specification 2.0 compliant, full speed mode (12 Mbps).

### 2 Pin assignment

No.	Signal Name	Function
1	5VDC	Power input
2	USBD-	USB data signal -
3	USBD+	USB data signal +
4	GND	Signal ground



# WP-T810 Thermal Printer

## 7 Cash Drawer Connector

### 1 Specifications

- **Data Transfer System**

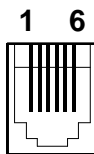
The pulse specified by “ESC p” is output to this connector. The host can confirm the status of the input signal by using the “ESC u” command.

- **Electrical Characteristics**

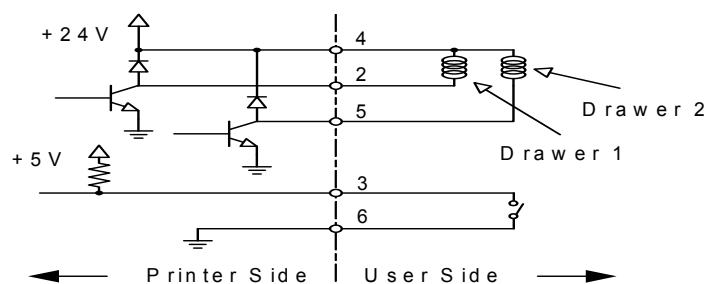
Drive voltage	DC 24V	
Drive current	0.8A at maximum (Should be within 510 ms)	
Switch signal	Signal level	“L” = 0 to 0.5V
		“H” = 3 to 5V

### 2 Connector's Pin Connection

No.	Signal Name	I/O
1	NC	-
2	Drawer kick-out 1	Output
3	Drawer open/close signal	Input
4	+24V	-
5	Drawer kick-out 2	Output
6	Signal GND	-



### 3 Drive Circuit



# WP-T810 Thermal Printer

## 8 Commands

Command	<b>HT</b>
Code (Hex)	<b>09</b>
Name	<b>Horizontal tab</b>
Command	<b>LF</b>
Code (Hex)	<b>0A</b>
Name	<b>Print and line feed</b>
Command	<b>DLE EOT n</b>
Code (Hex)	<b>10 04 n</b>
Name	<b>Real-time status transmission</b>
Command	<b>DLE DC4 n m t</b>
Code (Hex)	<b>10 14 n m t</b>
Name	<b>Generate pulse at real-time</b>
Command	<b>ESC SP n</b>
Code (Hex)	<b>1B 20 n</b>
Name	<b>Set right-side character spacing</b>
Command	<b>ESC ! n</b>
Code (Hex)	<b>1B 21 n</b>
Name	<b>Select print mode(s)</b>
Command	<b>ESC \$ nL nH</b>
Code (Hex)	<b>1B 24 nL nH</b>
Name	<b>Set absolute print position</b>
Command	<b>ESC % n</b>
Code (Hex)	<b>1B 25 n</b>
Name	<b>Select/cancel user-defined character set</b>
Command	<b>ESC * m nL nH d1...dk</b>
Code (Hex)	<b>1B 2A m nL nH d1...dk</b>
Name	<b>Select bit-image mode</b>
Command	<b>ESC - n</b>
Code (Hex)	<b>1B 2D n</b>
Name	<b>Turn underline mode on/off</b>

## *WP-T810 Thermal Printer*

Command	<b>ESC 2</b>
Code (Hex)	<b>1B 32</b>
Name	<b>Select default line spacing</b>

Command	<b>ESC 3 n</b>
Code (Hex)	<b>1B 33 n</b>
Name	<b>Set line spacing</b>

Command	<b>ESC = n</b>
Code (Hex)	<b>1B 3D n</b>
Name	<b>Set peripheral device</b>

Command	<b>ESC ? n</b>
Code (Hex)	<b>1B 3F n</b>
Name	<b>Cancel user-defined characters</b>

Command	<b>ESC @</b>
Code (Hex)	<b>1B 40</b>
Name	<b>Initialize printer</b>

Command	<b>ESC D n1...nk NUL</b>
Code (Hex)	<b>1B 44 n1 ...nk 00</b>
Name	<b>Set Horizontal tab positions</b>

Command	<b>ESC E n</b>
Code (Hex)	<b>1B 45 n</b>
Name	<b>Turn emphasized mode on/off</b>

Command	<b>ESC G n</b>
Code (Hex)	<b>1B 47 n</b>
Name	<b>Turn on/off double-strike mode</b>

Command	<b>ESC J n</b>
Code (Hex)	<b>1B 4A n</b>
Name	<b>Print and feed paper</b>

Command	<b>ESC M n</b>
Code (Hex)	<b>1B 4D n</b>
Name	<b>Select character font</b>

Command	<b>ESC R n</b>
Code (Hex)	<b>1B 52 n</b>
Name	<b>Select an international character set</b>

## *WP-T810 Thermal Printer*

Command	<b>ESC V n</b>
Code (Hex)	<b>1B 56 n</b>
Name	<b>Turn 90° clockwise rotation mode on/off</b>
Command	<b>ESC \ nL nH</b>
Code (Hex)	<b>1B 5C nL nH</b>
Name	<b>Set relative print position</b>
Command	<b>ESC a n</b>
Code (Hex)	<b>1B 61 n</b>
Name	<b>Select justification</b>
Command	<b>ESC c 3 n</b>
Code (Hex)	<b>1B 63 33 n</b>
Name	<b>Select paper sensors to output paper end</b>
Command	<b>ESC c 4 n</b>
Code (Hex)	<b>1B 63 34 n</b>
Name	<b>Select paper sensor(s) to stop printing</b>
Command	<b>ESC c 5 n</b>
Code (Hex)	<b>1B 63 35 n</b>
Name	<b>Enable/disable panel buttons</b>
Command	<b>ESC d n</b>
Code (Hex)	<b>1B 64 n</b>
Name	<b>Print and feed n lines</b>
Command	<b>ESC p m t1 t2</b>
Code (Hex)	<b>1B 70 m t1 t2</b>
Name	<b>Generate pulse</b>
Command	<b>ESC t n</b>
Code (Hex)	<b>1B 74 n</b>
Name	<b>Select character code table</b>
Command	<b>ESC { n</b>
Code (Hex)	<b>1B 7B n</b>
Name	<b>Turns on/off upside-down printing mode</b>
Command	<b>FS p n m</b>
Code (Hex)	<b>1C 70 n m</b>
Name	<b>Print NV bit image</b>

## *WP-T810 Thermal Printer*

Command	<b>GS ! n</b>
Code (Hex)	<b>1D 21 n</b>
Name	<b>Select character size</b>
Command	<b>GS * x y d1..d(x*y*8)</b>
Code (Hex)	<b>1D 2A</b>
Name	<b>Define downloaded bit image</b>
Command	<b>GS ( A pL pH n m</b>
Code (Hex)	<b>1D 28 41</b>
Name	<b>Execute test print</b>
Command	<b>GS / m</b>
Code (Hex)	<b>1D 2F m</b>
Name	<b>Print downloaded bit image</b>
Command	<b>GS B n</b>
Code (Hex)	<b>1D 42 n</b>
Name	<b>Turn white/black reverse printing mode</b>
Command	<b>GS H n</b>
Code (Hex)	<b>1D 48 n</b>
Name	<b>Select printing position for HRI characters</b>
Command	<b>GS I n</b>
Code (Hex)	<b>1D 49 n</b>
Name	<b>Transmit printer ID</b>
Command	<b>GS L nL nH</b>
Code (Hex)	<b>1D 4C nL nH</b>
Name	<b>Set left margin</b>
Command	<b>GS P x y</b>
Code (Hex)	<b>1D 50 x y</b>
Name	<b>Set horizontal and vertical motion units</b>
Command	<b>GS V m (n)</b>
Code (Hex)	<b>1D 56 m (n)</b>
Name	<b>Select cut mode and cut paper</b>
Command	<b>GS W nL nH</b>
Code (Hex)	<b>1D 57 nL nH</b>
Name	<b>Set printing area width</b>



## *WP-T810 Thermal Printer*

Command	<b>GS a n</b>
Code (Hex)	<b>1D 61 n</b>
Name	<b>Enable/disable automatic status back(ASB)</b>
Command	<b>GS b n</b>
Code (Hex)	<b>1D 62 n</b>
Name	<b>Turns smoothing mode on/off</b>
Command	<b>GS f n</b>
Code (Hex)	<b>1D 66 n</b>
Name	<b>Select font for Human Readable</b>
Command	<b>GS h n</b>
Code (Hex)	<b>1D 68 n</b>
Name	<b>Select bar code height</b>
Command	<b>①GS k m d1,,,dk NUL , ②GS k m n d1...dn</b>
Code (Hex)	<b>1D 6B ①m d1,,,dk 00 , ② m n d1...dn</b>
Name	<b>Print bar code</b>
Command	<b>GS r n</b>
Code (Hex)	<b>1D 72 n</b>
Name	<b>Transmit status</b>
Command	<b>GS v 0 m xL xH yL yH d1...dk</b>
Code (Hex)	<b>1D 76 30 m xL xH yL yH d1...dk</b>
Name	<b>Print raster bit image</b>
Command	<b>GS w n</b>
Code (Hex)	<b>1D 77</b>
Name	<b>Set bar code width</b>
Command	<b>FS ! n</b>
Code (Hex)	<b>1C 21 n</b>
Name	<b>Set print mode(s) for Kanji characters</b>
Command	<b>FS &amp;</b>
Code (Hex)	<b>1C 26</b>
Name	<b>Select Kanji character mode</b>
Command	<b>FS - n</b>
Code (Hex)	<b>1C 2D n</b>
Name	<b>Turn underline mode on/off for Kanji</b>

## *WP-T810 Thermal Printer*

Command	<b>FS .</b>
Code (Hex)	<b>1C 2E</b>
Name	<b>Cancel Kanji character mode</b>
Command	<b>FS C n</b>
Code (Hex)	<b>1C 43 n</b>
Name	<b>Select Kanji character code system</b>
Command	<b>FS S n1 n2</b>
Code (Hex)	<b>1C 53 n1 n2</b>
Name	<b>Set left- and right-side Kanji character</b>
Command	<b>FS W n</b>
Code (Hex)	<b>1C 57 n</b>
Name	<b>Turn quadruple-size mode on/off for Kanji</b>
Command	<b>ESC &amp;y c1 c2[x1 d1...d(y * x1)]... [xk d1...d(y * xk)]</b>
Code (Hex)	<b>1B 26 y c1 c2[x1 d1...d(y * x1)]... [xk d1...d(y * xk)]</b>
Name	<b>Define user-defined characters</b>
Command	<b>FS q n [xL xH yL yH d1...dk]1... [xL xH yL yH d1...dk]n</b>
Code (Hex)	<b>1C 71 n[xL xH yL yH d1...dk]1... [xL xH yL yH d1...dk]n</b>
Name	<b>Define NV bit image</b>

# WP-T810 Thermal Printer

## 9 Character Code Tables

### 9.1 International Character sets

	Country	ASCII (Hexadecimal notation)											
		23	24	40	5B	5C	5D	5E	60	7B	7C	7D	7E
0	USA	#	\$	@	[	\	]	^	`	{		}	~
1	France	#	\$	à	°	ç	§	^	`	é	ù	è	¨
2	Germany	#	\$	§	Ä	Ö	Ü	^	`	ä	ö	ü	β
3	U.K.	£	\$	@	[	\	]	^	`	{		}	~
4	Denmark I	#	\$	@	Æ	Ø	Å	^	`	æ	ø	å	~
5	Sweden	#	¤	É	Ä	Ö	Å	Ü	é	ä	ö	å	ü
6	Italy	#	\$	@	°	\	é	^	ù	à	ò	è	ì
7	Spain I	Pt	\$	@	ı	Ñ	¿	^	`	¨	ñ	}	~
8	Japan	#	\$	@	[	¥	]	^	`	{		}	~
9	Norway	#	¤	É	Æ	Ø	Å	Ü	é	æ	ø	å	ü
10	Denmark II	#	\$	É	Æ	Ø	Å	Ü	é	æ	ø	å	ü
11	Spain II	#	\$	á	ı	Ñ	¿	é	´	ı	ñ	ó	ú
12	Latin America	#	\$	á	ı	Ñ	¿	é	ü	ı	ñ	ó	ú
13	Korea	#	\$	@	[	₩	]	^	´	{		}	~

# WP-T810 Thermal Printer

## 9.2 Characters: 00H to 7FH

	00	10	20	30	40	50	60	70
<b>0</b>	NUL	DLE	(SP)	0	@	P	`	p
<b>1</b>		XON	!	1	A	Q	a	q
<b>2</b>			“	2	B	R	b	r
<b>3</b>		XOF	#	3	C	S	c	s
<b>4</b>	EOT	DC4	\$	4	D	T	d	t
<b>5</b>	EN Q		%	5	E	U	e	u
<b>6</b>			&	6	F	V	f	v
<b>7</b>			‘	7	G	W	g	w
<b>8</b>		CAN	(	8	H	X	h	x
<b>9</b>	HT		)	9	I	Y	i	y
<b>A</b>	LF		*	:	J	Z	j	z
<b>B</b>		ESC	+	;	K	[	k	{
<b>C</b>	FF	FS	,	<	L	\	l	
<b>D</b>	CR	GS	-	=	M	]	m	}
<b>E</b>			.	>	N	^	n	~
<b>F</b>			/	?	O	_	o	(SP)

# WP-T810 Thermal Printer

## 9.3 Code Page 0: PC437 (USA, European Standard)

	80	90	A0	B0	C0	D0	E0	F0
0	Ç	É	á	☐	Ł	⊥	α	≡
1	ü	æ	í	☐	⊥	⊥	β	±
2	é	Æ	ó	☐	⊥	⊥	Γ	≥
3	â	ô	ú		⊥	⊥	π	≤
4	ä	ö	ñ	⊥	—	⊥	Σ	∫
5	à	ò	Ñ	⊥	⊥	⊥	σ	∫
6	â	û	ä	⊥	⊥	⊥	μ	÷
7	ç	ù	ó	⊥	⊥	⊥	τ	≈
8	ê	ÿ	ı	⊥	⊥	⊥	Φ	○
9	ë	Ö	ı	⊥	⊥	⊥	θ	●
A	è	Ü	ı	⊥	⊥	⊥	Ω	•
B	ï	ø	½	⊥	⊥	■	δ	√
C	î	£	¼	⊥	⊥	■	∞	ⁿ
D	ì	¥	ı	⊥	=	■	∅	²
E	Ä	Pt	«	⊥	⊥	■	∈	■
F	Å	f	»	⊥	⊥	■	∩	(SP)

# WP-T810 Thermal Printer

## 9.4 Code Page 1: Katakana (Japanese)

	80	90	A0	B0	C0	D0	E0	F0
0	—	⊥		ー	夕	ミ	=	×
1	—	⊥	。	ア	チ	ム	≠	円
2	—	⊥	⊥	イ	ツ	メ	≠	年
3	—	⊥	⊥	ウ	テ	モ	≠	月
4	■	—	,	エ	ト	ヤ	▲	日
5	■	—	,	オ	ナ	ユ	▲	時
6	■		ヲ	カ	ニ	ヨ	▼	分
7	■		ア	キ	ヌ	ラ	▼	秒
8		⊥	イ	ク	ネ	リ	♠	〒
9		⊥	ウ	ケ	ノ	ル	♥	市
A		⊥	エ	コ	ハ	レ	♦	区
B		⊥	オ	サ	ヒ	ロ	♣	町
C	■	(	ヤ	シ	フ	ワ	●	村
D	■	)	ユ	ス	ヘ	ソ	○	人
E	■	レ	ヨ	セ	ホ	ゝ	/	■
F	+	)	ツ	ソ	マ	。	\	(SP)

# WP-T810 Thermal Printer

## 9.5 Code Page 2: PC850 (Multilingual)

	80	90	A0	B0	C0	D0	E0	F0
0	Ç	É	á	☐	Ł	ò	Ó	–
1	ü	æ	í	☐	⊥	Ð	β	±
2	é	Æ	ó	☐	⊥	Ê	Ô	=
3	â	ô	ú		†	Ë	Ò	¾
4	ä	ö	ñ	†	–	È	ö	¶
5	à	ò	Ñ	Á	†	€	Õ	§
6	â	û	ä	Â	ã	í	μ	÷
7	ç	ù	ó	À	Ã	î	þ	¸
8	ê	ÿ	¿	©	Ł	ï	ƒ	○
9	ë	Ö	®	‡	ŕ	Ƶ	Ú	¨
A	è	Ü	¬	‡	Ł	ƶ	Û	•
B	ï	ø	½	ŕ	ŕ	■	Ù	¹
C	î	£	¼	‡	‡	■	ý	³
D	ì	Ø	ì	¢	=	¡	Ý	²
E	Ä	×	«	¥	‡	ì	-	■
F	Å	f	»	ƶ	α	■	'	(SP)

# WP-T810 Thermal Printer

## 9.6 Code Page 3: PC860 (Portuguese)

	80	90	A0	B0	C0	D0	E0	F0
0	Ç	É	á	☐	Ł	⊥	α	≡
1	ü	À	í	☐	⊥	⊥	β	±
2	é	È	ó	☐	⊥	⊥	Γ	≥
3	â	ô	ú		⊥	⊥	π	≤
4	ã	õ	ñ	⊥	—	⊥	Σ	∫
5	à	ò	Ñ	⊥	⊥	⊥	σ	∫
6	Á	Ú	ä	⊥	⊥	⊥	μ	÷
7	ç	ù	ó	⊥	⊥	⊥	τ	≈
8	ê	ì	¿	⊥	⊥	⊥	Φ	○
9	Ê	Ï	Ò	⊥	⊥	⊥	θ	●
A	è	Ü	¬	⊥	⊥	⊥	Ω	•
B	í	ç	½	⊥	⊥	■	δ	√
C	Ô	£	¼	⊥	⊥	■	∞	n
D	ì	Ù	ì	⊥	=	■	∅	²
E	Ã	Pt	«	⊥	⊥	■	∈	■
F	Â	Ó	»	⊥	⊥	■	∩	(SP)



# WP-T810 Thermal Printer

## 9.7 Code Page 4: PC863 (Canadian-French)

	80	90	A0	B0	C0	D0	E0	F0
0	Ç	É		▒	L	⌌	α	≡
1	ü	È	'	▒	⊥	⌌	β	±
2	é	Ê	ó	▒	⌌	⌌	Γ	≥
3	â	ô	ú		⌌	⌌	π	≤
4	Â	Ë	¨	⌌	—	⌌	Σ	∫
5	à	ï	>	⌌	⌌	F	σ	J
6	¶	û	³	⌌	⌌	⌌	μ	÷
7	ç	ù	ˉ	⌌	⌌	⌌	τ	≈
8	ê	α	î	⌌	⌌	⌌	Φ	○
9	ë	Ô	ˆ	⌌	⌌	⌌	θ	●
A	è	Ü	ˆ	⌌	⌌	⌌	Ω	•
B	ï	φ	½	⌌	⌌	■	δ	√
C	î	£	¼	⌌	⌌	■	∞	n
D	=	Ù	¾	⌌	=	■	∅	²
E	À	Û	«	⌌	⌌	■	∈	■
F	§	f	»	⌌	⌌	■	∩	(SP)

# WP-T810 Thermal Printer

## 9.8 Code Page 5: PC865 (Nordic)

	80	90	A0	B0	C0	D0	E0	F0
0	Ç	É	á	☐	Ł	⊥	α	≡
1	ü	æ	í	☐	⊥	⊥	β	±
2	é	Æ	ó	☐	⊥	⊥	Γ	≥
3	â	ô	ú		⊥	⊥	π	≤
4	ä	ö	ñ	⊥	—	⊥	Σ	∫
5	à	ò	Ñ	⊥	⊥	⊥	σ	∫
6	â	û	ä	⊥	⊥	⊥	μ	÷
7	ç	ù	ó	⊥	⊥	⊥	τ	≈
8	ê	ÿ	ı	⊥	⊥	⊥	Φ	○
9	ë	Ö	ı	⊥	⊥	⊥	θ	●
A	è	Ü	ı	⊥	⊥	⊥	Ω	•
B	ï	ø	½	⊥	⊥	■	δ	√
C	î	£	¼	⊥	⊥	■	∞	ⁿ
D	ì	Ø	ı	⊥	=	■	∅	²
E	Ä	Pt	«	⊥	⊥	■	∈	■
F	Å	f	α	⊥	⊥	■	∩	(SP)

# WP-T810 Thermal Printer

## 9.9 Code Page 11: PC851 (Greek)

	80	90	A0	B0	C0	D0	E0	F0
0	Ç	ı	ï	☐	Ł	Т	ζ	-
1	ü		ĩ	☐	⊥	Υ	η	±
2	é	Ό	ó	☐	Т	Φ	θ	υ
3	â	ô	ú		†	Χ	ι	φ
4	ä	ö	Α	†	—	Ψ	κ	χ
5	à	Υ	Β	Κ	†	Ω	λ	§
6	À	û	Γ	Λ	Π	α	μ	ψ
7	ç	ù	Δ	Ν	Ρ	β	ν	˘
8	ê	Ω	Ε	Μ	ℒ	γ	ξ	°
9	ë	Ö	Ζ	Ζ	℞	∟	ο	¨
A	è	Ü	Η		ℒ	Γ	π	ω
B	ï	ά	½	η	τ	■	ρ	Û
C	î	£	Θ	∟	†	■	σ	Û
D	Έ	έ	Ι	Ξ	=	δ	ς	ώ
E	Ä	ή	«	Ο	†	ε	τ	■
F	Ή	ί	»	Γ	Σ	■	'	

# WP-T810 Thermal Printer

## 9.10 Code Page 12: PC853 (Turkish)

	80	90	A0	B0	C0	D0	E0	F0
0	Ç	É	á	☐	Ł		Ó	-
1	ü	ć	í	☐	⊥		ß	
2	é	Ĉ	ó	☐	⊥	Ê	ô	ł
3	â	ô	ú		⊥	Ë	Ò	ñ
4	ä	ö	ñ	⊥	—	È	Ĝ	˘
5	à	ò	Ñ	Á	⊥		ğ	§
6	ê	û	Ĝ	Â	Ŝ	í	μ	÷
7	ç	ù	ğ	À	š	î	Ĥ	„
8	ê	ı	Ĥ	Ş	Ł	ï	ñ	°
9	ë	Ö	ñ	⊥	⊥	⊥	Ú	“
A	è	Ü			⊥	⊥	Û	□
B	ï	ô	½	⊥	⊥	■	Ù	
C	î	£	Ĵ	⊥	⊥	■	Ů	³
D	ì	Ĝ	ş	Ž	=		ů	²
E	Ä	×	«	ž	⊥	ì	·	■
F	Ĉ	ĵ	»	⊥	α	■	’	(SP)

# WP-T810 Thermal Printer

## 9.11 Code Page 13: PC857 (Turkish)

	80	90	A0	B0	C0	D0	E0	F0
0	Ç	É	á	☐	Ł	◦	Ó	-
1	ü	æ	í	☐	⊥	ª	ß	±
2	é	Æ	ó	☐	⊥	Ê	Ô	
3	â	ô	ú		†	Ë	Ò	¾
4	ä	ö	ñ	†	—	È	ö	¶
5	à	ò	Ñ	Á	†	€	Õ	§
6	â	û	Ǧ	Â	ã	í	μ	÷
7	ç	ù	ǧ	À	Ã	î		¸
8	ê	ì	ı	©	Ł	ï	×	°
9	ë	Ö	®	‡	ŕ	Ƶ	Ú	¨
A	è	Ü	¬		⊥	ƒ	Û	·
B	ï	ø	½	¶	⊥	■	Ù	¹
C	î	£	¼	‡	‡	■	ì	³
D	ı	Ø	ı	φ	=	ı	ÿ	²
E	Ä	Ş	«	¥	‡	ì	—	■
F	Å	Ş	»	ƒ	α	■	'	(SP)

# WP-T810 Thermal Printer

## 9.12 Code Page 14: PC737 (Greek)

	80	90	A0	B0	C0	D0	E0	F0
0	Α	Ρ	Ι	⋯	Λ	⊥	ω	Ω
1	Β	Σ	Κ	⋮	⊥	⊖	ά	±
2	Γ	Τ	Λ	⋮	⊥	π	έ	≥
3	Δ	Υ	Μ		⊥	⊥	ή	≤
4	Ε	Φ	ν	⊥	—	⊥	ϊ	ϊ
5	Ζ	Χ	ξ	⊥	⊥	⊥	ί	ÿ
6	Η	Ψ	ο	⊥	⊥	π	ό	÷
7	Θ	Ω	π	π	⊥	⊥	ύ	≈
8	Ι	α	ρ	⊥	⊥	⊥	ü	°
9	Κ	β	σ	⊥	⊥	⊥	ώ	·
A	Λ	γ	ς	⊥	⊥	⊥	Α	·
B	Μ	δ	τ	⊥	⊥	■	Έ	√
C	Ν	ε	υ	⊥	⊥	■	Ή	η
D	Ξ	ζ	φ	⊥	=	■	1	²
E	Ο	η	χ	⊥	⊥	■	Ό	■
F	Π	θ	ψ	⊥	⊥	■	Υ	(SP)

# WP-T810 Thermal Printer

## 9.13 Code Page 15: ISO8859-7 (Greek)

	80	90	A0	B0	C0	D0	E0	F0
0			(SP)	°	ı	Π	Û	π
1			‘	±	Α	Ρ	α	ρ
2			’	²	Β		β	ς
3			£	³	Γ	Σ	γ	σ
4			€	´	Δ	Τ	δ	τ
5			Đ	ˆ	Ε	Υ	ε	υ
6			ı	À	Ζ	Φ	ζ	φ
7			§	·	Η	Χ	η	χ
8			¨	Έ	Θ	Ψ	θ	ψ
9			©	Ή	Ι	Ω	ι	ω
A			˘	ı	Κ	İ	κ	ı
B			«	»	Λ	ÿ	λ	ÿ
C			¬	Ό	Μ	ά	μ	ό
D			-	½	Ν	έ	ν	ύ
E				Υ	Ξ	ή	ξ	ώ
F			—	Ω	Ο	ί	ο	

# WP-T810 Thermal Printer

## 9.14 Code Page 16: WPC1252 (Windows Latin 1)

	80	90	A0	B0	C0	D0	E0	F0
<b>0</b>	€		(SP)	°	À	Đ	à	đ
<b>1</b>		‘	ı	±	Á	Ñ	á	ñ
<b>2</b>	,	’	¢	<sup>2</sup>	Â	Ò	â	ò
<b>3</b>	f	“	£	<sup>3</sup>	Ã	Ó	ã	ó
<b>4</b>	„	”	¤	´	Ä	Ô	ä	ô
<b>5</b>	...	•	¥	µ	Å	Õ	å	õ
<b>6</b>	†	–	¦	¶	Æ	Ö	æ	ö
<b>7</b>	‡	—	§	·	Ç	×	ç	÷
<b>8</b>	^	~	¨	¸	È	Ø	è	ø
<b>9</b>	‰	™	©	<sup>1</sup>	É	Ù	é	ù
<b>A</b>	Š	š	ª	º	Ê	Ú	ê	ú
<b>B</b>	‹	›	«	»	Ë	Û	ë	û
<b>C</b>	Œ	œ	¬	¼	Ì	Ü	ì	ü
<b>D</b>			-	½	Í	Ý	í	ý
<b>E</b>	Ž	ž	®	¾	Î	Þ	î	þ
<b>F</b>		ÿ	¯	¿	Ï	ß	ï	ÿ



# WP-T810 Thermal Printer

## 9.15 Code Page 17: PC866 (Russian)

	80	90	A0	B0	C0	D0	E0	F0
0	А	Р	а	⋮	Л	⊥	р	Ё
1	Б	С	б	⋮	⊥	⊥	с	ё
2	В	Т	в	⋮	⊥	⊥	т	Е
3	Г	У	г		⊥	⊥	у	ε
4	Д	Ф	д	⊥	—	—	ф	ї
5	Е	Х	е	⊥	⊥	⊥	х	і
6	Ж	Ц	ж	⊥	⊥	⊥	ц	Ў
7	З	Ч	з	⊥	⊥	⊥	ч	ў
8	И	Ш	и	⊥	⊥	⊥	ш	○
9	Й	Щ	й	⊥	⊥	⊥	щ	•
A	К	Ъ	к	⊥	⊥	⊥	ъ	·
B	Л	Ы	л	⊥	⊥	■	ы	√
C	М	Ь	м	⊥	⊥	■	ь	Na
D	Н	Э	н	⊥	=	■	э	α
E	О	Ю	о	⊥	⊥	■	ю	■
F	П	Я	п	⊥	⊥	■	я	(SP)

# WP-T810 Thermal Printer

## 9.16 Code Page 18: PC852 (Slavonic)

	80	90	A0	B0	C0	D0	E0	F0
0	Ç	É	á	☐	Ł	đ	Ó	-
1	ü	Í	í	☐	⊥	Đ	β	“
2	é	í	ó	☐	⊥	Đ	Ô	˘
3	â	ô	ú		†	Ë	Ń	˘
4	ä	ö	À	†	—	ǎ	ń	
5	û	ł	ą	Á	†	Ń	ň	§
6	ć	ĩ	ž	Â	Ǻ	í	š	÷
7	ç	Ś	ž	Ě	ǎ	î	š	˘
8	ł	ś	Ę	Ş	Ł	ě	Ŕ	○
9	ë	Ö	ę	‡	Ɔ	Ј	Ú	“
A	Ő	Ü			⊥	Г	ř	•
B	ő	Ť	z	‡	‡	■	Ů	ů
C	î	ť	Č	‡	‡	■	ý	Ř
D	Ž	ł	ş	Ž	=	Ť	Ý	ř
E	Ǻ	×	«	ž	‡	Ů	ť	■
F	Ć	č	»		α	■	'	(SP)

# WP-T810 Thermal Printer

## 9.17 Code Page 19: PC858 (Multilingual with Euro Symbol)

	80	90	A0	B0	C0	D0	E0	F0
0	Ç	É	á	☐	Ł	ø	Ó	-
1	ü	æ	í	☐	⊥	Ð	ß	±
2	é	Æ	ó	☐	⊥	Ê	Ô	=
3	â	ô	ú		†	Ë	Ò	¾
4	ä	ö	ñ	†	—	È	ø	¶
5	à	ò	Ñ	Á	†	€	Ö	§
6	å	û	ª	Â	ã	í	μ	÷
7	ç	ù	º	À	Ã	î	þ	¸
8	ê	ÿ	¿	©	ℓ	ï	ƒ	°
9	ë	Ö	®	‡	℞	⌋	Ú	¨
A	è	Ü	¬		⊥	⌈	Û	·
B	ï	ø	½	¶	⊥	■	Ù	¹
C	î	£	¼	‡	‡	■	ý	³
D	ì	Ø	¡	¢	=	¡	Ý	²
E	Ä	×	«	¥	‡	ì	—	■
F	Å	f	»	⌈	α	■	'	(SP)

# WP-T810 Thermal Printer

## 9.18 Code Page 20: KU42 (Thai)

	80	90	A0	B0	C0	D0	E0	F0
0	๐	๑	๒	๓	๔	๕	๖	๗
1	๘	๙	๐	๑	๒	๓	๔	๕
2	๖	๗	๘	๙	๐	๑	๒	๓
3	๔	๕	๖	๗	๘	๙	๐	๑
4	๒	๓	๔	๕	๖	๗	๘	๙
5	๓	๔	๕	๖	๗	๘	๙	๐
6	๔	๕	๖	๗	๘	๙	๐	๑
7	๕	๖	๗	๘	๙	๐	๑	๒
8	๖	๗	๘	๙	๐	๑	๒	๓
9	๗	๘	๙	๐	๑	๒	๓	๔
A	๘	๙	๐	๑	๒	๓	๔	๕
B	๙	๐	๑	๒	๓	๔	๕	๖
C	๐	๑	๒	๓	๔	๕	๖	๗
D	๑	๒	๓	๔	๕	๖	๗	๘
E	๒	๓	๔	๕	๖	๗	๘	๙
F	๓	๔	๕	๖	๗	๘	๙	

# WP-T810 Thermal Printer

## 9.19 Code Page 21: TIS11 (Thai)

	80	90	A0	B0	C0	D0	E0	F0
0	๕	๕๓	ไ	ฐ	ภ	๕๕	ไ	๐
1	๕๕	๕๓	ก	ท	ม	๕	แ	๑
2	๕๕	๕๕	ข	ฌ	ย	า	โ	๒
3	๕๓	๕๕	ข	ฌ	ร	า	ใ	๓
4	๕	๕๓	ค	ค	ถ	๕	ไ	๔
5	๕๕	๕	ค	ค	ถ	๕	า	๕
6	๕๕	๕๕	ฆ	ถ	ภ	๕	า	๖
7	๕๓	๕๕	ง	ท	ว	๕	๕	๗
8	๕๕	๕	จ	ช	ศ	๕	.	๘
9	๕	๕	ฉ	น	ษ	๕	๕	๙
A	๕๕	๕	ช	บ	ส	.	๕	๐
B	๕๕	๕	ช	บ	ท	-	+	๑
C	๕๓	๕	ฌ	ผ	พ	๕	๕	๒
D	๕	๕	ฌ	ผ	อ	๕	.	๓
E	๕๕	๕	ฉ	น	ช	๕	๕	๔
F	๕๕	๕	ฉ	น	า	๕	๑	

# WP-T810 Thermal Printer

## 9.20 Code Page 22: TIS13 (Thai)

	80	90	A0	B0	C0	D0	E0	F0
0		๒		๓	๓	๕	๖	๐
1	๕	๙	๓	๓	๓	๖	๖	๑
2	๕	๙	๓	๓	๓	๖	๖	๒
3	๕	๙	๓	๓	๓	๖	๖	๓
4	๕		๓	๓	๓	๖	๖	๔
5		๒	๓	๓	๓	๖	๖	๕
6	๕	๙	๓	๓	๓	๖	๖	๖
7	๕	๙	๓	๓	๓	๖	๖	๗
8	๕	๙	๓	๓	๓	๖	๖	๘
9	๕		๓	๓	๓	๖	๖	๙
A		๒	๓	๓	๓	๖	๖	๐
B	๒	๙	๓	๓	๓	๖	๖	๑
C	๙	๙	๓	๓	๓	๖	๖	๒
D	๙	๙	๓	๓	๓	๖	๖	๓
E	๙		๓	๓	๓	๖	๖	๔
F	๙		๓	๓	๓	๖	๖	๕

# WP-T810 Thermal Printer

## 9.21 Code Page 23: TIS14 (Thai)

	80	90	A0	B0	C0	D0	E0	F0
0	๐	๑		๒	๓	๔	๕	๖
1	๗	๘	๙	๐	๑	๒	๓	๔
2	๕	๖	๗	๘	๙	๐	๑	๒
3	๓	๔	๕	๖	๗	๘	๙	๐
4	๑	๒	๓	๔	๕	๖	๗	๘
5	๓	๔	๕	๖	๗	๘	๙	๐
6	๑	๒	๓	๔	๕	๖	๗	๘
7	๑	๒	๓	๔	๕	๖	๗	๘
8	๑	๒	๓	๔	๕	๖	๗	๘
9	๑	๒	๓	๔	๕	๖	๗	๘
A	๑	๒	๓	๔	๕	๖	๗	๘
B	■	๒	๓	๔	๕	๖	๗	๘
C	๑	๒	๓	๔	๕	๖	๗	๘
D	๑	๒	๓	๔	๕	๖	๗	๘
E	๑	๒	๓	๔	๕	๖	๗	๘
F	๑	๒	๓	๔	๕	๖	๗	๘

# WP-T810 Thermal Printer

## 9.22 Code Page 24: TIS16 (Thai)

	80	90	A0	B0	C0	D0	E0	F0
0	๐	๑		๒	๓	๔	๕	๖
1	๗	๘	๙	๐	๑	๒	๓	๔
2	๕	๖	๗	๘	๙	๐	๑	๒
3	๓	๔	๕	๖	๗	๘	๙	๐
4	๑	๒	๓	๔	๕	๖	๗	๘
5	๓	๔	๕	๖	๗	๘	๙	๐
6	๑	๒	๓	๔	๕	๖	๗	๘
7	๑	๒	๓	๔	๕	๖	๗	๘
8	๑	๒	๓	๔	๕	๖	๗	๘
9	๑	๒	๓	๔	๕	๖	๗	๘
A	๑	๒	๓	๔	๕	๖	๗	๘
B	■	๑	๒	๓	๔	๕	๖	๗
C	↑	๑	๒	๓	๔	๕	๖	๗
D	↑	๑	๒	๓	๔	๕	๖	๗
E	→	๑	๒	๓	๔	๕	๖	๗
F	↓	๑	๒	๓	๔	๕	๖	



# WP-T810 Thermal Printer

## 9.23 Code Page 25: TIS17 (Thai)

	80	90	A0	B0	C0	D0	E0	F0
0	๕	๖		๗	๘	๙	๐	๑
1	๒	๓	๔	๕	๖	๗	๘	๙
2	๐	๑	๒	๓	๔	๕	๖	๗
3	๘	๙	๐	๑	๒	๓	๔	๕
4	๖	๗	๘	๙	๐	๑	๒	๓
5	๔	๕	๖	๗	๘	๙	๐	๑
6	๒	๓	๔	๕	๖	๗	๘	๙
7	๓	๔	๕	๖	๗	๘	๙	๐
8	๕	๖	๗	๘	๙	๐	๑	๒
9	๖	๗	๘	๙	๐	๑	๒	๓
A	๗	๘	๙	๐	๑	๒	๓	๔
B	๘	๙	๐	๑	๒	๓	๔	๕
C	๙	๐	๑	๒	๓	๔	๕	๖
D	๐	๑	๒	๓	๔	๕	๖	๗
E	๑	๒	๓	๔	๕	๖	๗	๘
F	๒	๓	๔	๕	๖	๗	๘	๙

# WP-T810 Thermal Printer

## 9.24 Code Page 26: TIS18 (Thai)

	80	90	A0	B0	C0	D0	E0	F0
0	┌	๑		๒	๓	๔	๕	๐
1	└	๒	๓	๔	๕	๖	๗	๘
2	┐	๓	๔	๕	๖	๗	๘	๙
3	┘	๔	๕	๖	๗	๘	๙	๐
4		๕	๖	๗	๘	๙	๐	๑
5	—	๖	๗	๘	๙	๐	๑	๒
6	┌	๗	๘	๙	๐	๑	๒	๓
7	└	๘	๙	๐	๑	๒	๓	๔
8	┐	๙	๐	๑	๒	๓	๔	๕
9	┘	๐	๑	๒	๓	๔	๕	๖
A	+	๑	๒	๓	๔	๕	๖	๗
B	■	๒	๓	๔	๕	๖	๗	๘
C	↑	๓	๔	๕	๖	๗	๘	๙
D	↑	๔	๕	๖	๗	๘	๙	๐
E	→	๕	๖	๗	๘	๙	๐	๑
F	↓	๖	๗	๘	๙	๐	๑	

## WP-T810 Thermal Printer

### 9.25 Code Page 30: TCVN-3 (Vietnamese)

	80	90	A0	B0	C0	D0	E0	F0
0						é		
1						ẹ	ỏ	ủ
2						ề	õ	ũ
3						ể	ó	ú
4						ễ	ọ	ụ
5				à		ề	ồ	ứ
6				ả	ạ	ệ	ố	ử
7				ã	ã	ị	ố	ữ
8			ă	á	ã	ỉ	ố	ứ
9			â	ạ	ã		ộ	ự
A			ê		ã		ờ	ỳ
B			ô	ă	ạ		ở	ỷ
C			ơ	ã	ề	ĩ	ỡ	ỹ
D			ư	ã		í	ờ	ý
E			đ	ã	ể	ì	ợ	ỵ
F					ễ	ò	ù	

# WP-T810 Thermal Printer

## 9.26 Code Page 31: TCVN-3 (Vietnamese)

	80	90	A0	B0	C0	D0	E0	F0
0						É		
1			Ă			Ệ	Ỡ	Ủ
2			Â			Ề	Ỗ	Û
3						Ễ	Ớ	Ứ
4						Ễ	Ợ	Ự
5				À		Ế	Ồ	Ừ
6				Ả	Ạ	Ệ	Ỡ	Ữ
7			Đ	Ã	Ẫ	Ỉ	Ỡ	Ữ
8				Á	Ẫ	Ỉ	Ớ	Ứ
9				A	Ẫ		Ợ	Ự
A			Ê		Ẫ		Ờ	Ỡ
B			Ô	Ẫ	Ẫ		Ỡ	Ỡ
C			Ớ	Ẫ	Ề	Ỉ	Ỡ	Ỡ
D			Ứ	Ẫ		Ỉ	Ớ	Ỡ
E				Ả	Ề	Ỉ	Ợ	Ỡ
F					Ề	Ồ	Ừ	

# WP-T810 Thermal Printer

## 9.27 Code Page 32: PC720 (Arabic)

	80	90	A0	B0	C0	D0	E0	F0
0			ب	⦿	ل	ل	ن	≡
1		ة	ة	⦿	ل	ل	ط	#
2	é	°	ن	⦿	ل	ل	ظ	²
3	â	ô	ث		ل	ل	ع	#
4		⌘	⌘	ل	—	ل	غ	'
5	â	—	⌘	ل	+	ل	ف	⁴
6		û	خ	ل	ل	ل	ل	'
7	ç	ù	و	ل	ل	ل	ق	≈
8	ê	ء	ذ	ل	ل	ل	ك	°
9	ë	آ	ر	ل	ل	ل	ل	•
A	è	أ	ز	ل	ل	ل	م	•
B	آ	ؤ	س	ل	ل	■	ن	√
C	î	£	ش	ل	ل	■	ه	∩
D		ل	ص	ل	=	■	و	²
E		ئ	«	ل	ل	■	ى	■
F		ا	»	ل	ل	■	ي	

# WP-T810 Thermal Printer

## 9.28 Code Page 33: WPC775 (Baltic)

	80	90	A0	B0	C0	D0	E0	F0
<b>0</b>	Ć	É	Ā	☐	Ł	ą	Ó	-
<b>1</b>	ü	æ	Ī	☐	⊥	č	ß	±
<b>2</b>	é	Æ	ó	☐	⊥	ę	Ō	“
<b>3</b>	ā	ō	Ž		†	è	Ń	¾
<b>4</b>	ä	ö	ž	†	—	ì	ö	¶
<b>5</b>	ǵ	Ǵ	ž	Ą	†	š	Ŏ	§
<b>6</b>	â	ϕ	”	Č	Ų	ų	μ	÷
<b>7</b>	ć	Ś	ı	Ę	Ū	ū	ń	„
<b>8</b>	ł	ś	©	É	Ł	ż	Ų	°
<b>9</b>	ē	Ö	®	‡	Ŧ	Ƶ	ķ	·
<b>A</b>	Ŕ	Ü	¬		⊥	Ɔ	Ł	·
<b>B</b>	ı	ø	½	¶	⊥	■	ı	¹
<b>C</b>	ī	£	¼	‡	‡	■	ŋ	³
<b>D</b>	Ž	Ø	Ł	ı	=	■	Ē	²
<b>E</b>	Ä	×	«	Š	‡	■	Ņ	■
<b>F</b>	Å	α	»	Ɔ	Ž	■	'	(SP)

# WP-T810 Thermal Printer

## 9.29 Code Page 34: PC855 (Cyrillic)

	80	90	A0	B0	C0	D0	E0	F0
0	ђ	љ	а	▒	Љ	л	Я	-
1	џ	Љ	А	▒	⊥	Л	р	ы
2	ѓ	њ	б	▒	т	м	Р	Ы
3	ђ	Њ	Б		†	М	с	з
4	ё	ћ	ц	†	—	н	С	З
5	Ё	Ћ	Ц	х	†	Н	т	ш
6	е	ќ	д	Х	к	о	Т	Ш
7	Є	Ќ	Д	и	К	О	у	э
8	ѕ	ђ	е	И	Љ	п	У	Э
9	Ѕ	Ђ	Е	ђ	ђ	Ј	ж	щ
A	і	џ	ф		⊥	г	Ж	Щ
B	І	Џ	Ф	ђ	ђ	■	в	ч
C	ї	ю	г	ђ	ђ	■	В	Ч
D	Ї	Ю	Г	й	=	П	ь	§
E	ј	Ъ	«	Й	ђ	я	Ь	■
F	Ј	Ъ	»	Г	ѡ	■	№	(SP)

# WP-T810 Thermal Printer

## 9.30 Code Page 35: PC861 (Iceland)

	80	90	A0	B0	C0	D0	E0	F0
0	ç	É	á	☐	Ł	⊥	α	≡
1	ü	æ	í	☐	⊥	⊥	β	±
2	é	Æ	ó	☐	⊥	⊥	Γ	≥
3	â	ô	ú		⊥	⊥	π	≤
4	ä	ö	Á	⊥	—	⊥	Σ	∫
5	à	þ	í	⊥	⊥	⊥	σ	∫
6	â	û	Ó	⊥	⊥	⊥	μ	÷
7	ç	Ý	Ú	⊥	⊥	⊥	τ	≈
8	ê	ý	í	⊥	⊥	⊥	Φ	°
9	ë	Ö	í	⊥	⊥	⊥	Θ	•
A	è	Ü	í	⊥	⊥	⊥	Ω	•
B	Ð	ø	½	⊥	⊥	■	δ	√
C	ð	£	¼	⊥	⊥	■	∞	ⁿ
D	þ	Ø	í	⊥	=	■	φ	²
E	Ä	Þ	«	⊥	⊥	■	ε	■
F	Å	ƒ	»	⊥	⊥	■	∩	(SP)



# WP-T810 Thermal Printer

## 9.31 Code Page 36: PC862 (Hebrew)

	80	90	A0	B0	C0	D0	E0	F0
0	κ	ג	á	⋯	⊥	⊥	α	≡
1	ב	o	í	⋯	⊥	⊥	β	±
2	ג	γ	ó	⋯	⊥	⊥	Γ	≥
3	ד	η	ú		⊥	⊥	π	≤
4	ה	φ	ñ	⊥	—	⊥	Σ	∫
5	ו	γ	Ñ	⊥	⊥	⊥	σ	∫
6	ז	צ	ª	⊥	⊥	⊥	μ	÷
7	ח	ק	º	⊥	⊥	⊥	τ	≈
8	ט	ר	¿	⊥	⊥	⊥	Φ	°
9	י	ש	⌒	⊥	⊥	⊥	Θ	·
A	ך	ת	⌒	⊥	⊥	⊥	Ω	·
B	כ	¢	½	⊥	⊥	■	δ	√
C	ל	£	¼	⊥	⊥	■	∞	∞
D	ם	¥	ı	⊥	=	■	φ	²
E	מ	Pts	«	⊥	⊥	■	ε	■
F	ן	f	»	⊥	⊥	■	∩	(SP)

# WP-T810 Thermal Printer

## 9.32 Code Page 37: PC864 (Arabic)

	80	90	A0	B0	C0	D0	E0	F0
0	°	β		•	ϕ	ذ	ا	ء
1	•	⊞	-	١	ء	ر	فا	ء
2	•	ϕ	ل	٢	آ	ز	قا	ن
3	√	±	£	٣	أ	س	كا	ه
4	▒	½	¤	٤	ؤ	ش	ل	ف
5	—	¼	ل	٥	ح	ط	م	ي
6		≈		٦	ث	ظ	نا	ي
7	+	«	€	٧	ا	ظ	ظ	ظ
8	+	»	ل	٨	ب	ظ	و	ق
9	⊥	لا	ب	٩	ة	ط	ي	لا
A	⊥	لا	ت	ف	ت	ظ	يا	لا
B	⊥		ث	؛	ث	ا	ف	ل
C	⊥		،	س	ج	ا	ط	ك
D	⊥	لا	ج	ش	ح	÷	ن	ي
E	⊥	لا	ح	ص	خ	×	ن	■
F	⊥	،	ن	؟	ر	ع	م	

# WP-T810 Thermal Printer

## 9.33 Code Page 38: PC869 (Greek)

	80	90	A0	B0	C0	D0	E0	F0
0		ı	ï	☐	Ł	Т	ζ	-
1		İ	Ï	☐	⊥	Υ	η	±
2		Ō	ó	☐	⊥	Φ	θ	Υ
3			ú		†	Χ	ι	Φ
4			À	†	—	Ψ	κ	Χ
5		Ÿ	Β	Κ	†	Ω	λ	§
6	À	ÿ	Γ	Λ	Π	α	μ	Ψ
7	€	©	Δ	Μ	Ρ	β	ν	™
8	·	Ω	Ε	Ν	Ł	γ	ξ	°
9	¬	²	Ζ	‡	℞	Ј	ο	¨
A	ı	³	Η	‖	⊥	Γ	π	Ω
B	‘	ά	½	¶	⊥	■	ρ	ÿ
C	’	£	Θ	‡	‡	■	σ	ÿ
D	Έ	έ	Ι	Ξ	=	δ	ς	Ω
E	—	ή	«	Ο	‡	ε	τ	■
F	Ή	ί	»	Γ	Σ	■	’	

# WP-T810 Thermal Printer

## 9.34 Code Page 39: ISO8859-2 (Central European)

	80	90	A0	B0	C0	D0	E0	F0
0			(SP)	°	Ř	Đ	í	đ
1			Ą	ą	Á	Ń	á	ń
2			˘	˙	Â	Ň	â	ň
3			Ł	ł	Ǻ	Ó	ǻ	ó
4			α	´	Ǻ	Ô	ǻ	ô
5			Ł	ł	Ł	Ő	í	ő
6			Ś	ś	Ć	Ö	ć	ö
7			§	˘	Ç	×	ç	÷
8			¨	˙	Č	Ř	č	ř
9			Š	š	É	Û	é	û
A			Ş	ş	Ę	Ú	ę	ú
B			Ť	ť	Ě	Ů	ě	ů
C			Ž	ž	Ě	Ü	ě	ü
D			-	”	Í	Ý	í	ý
E			Ž	ž	Î	Ț	î	ț
F			Ž	ž	Ď	ß	ď	·

# WP-T810 Thermal Printer

## 9.35 Code Page 40: ISO8859-15 (Latin 9)

	80	90	A0	B0	C0	D0	E0	F0
0			(SP)	°	À	Ð	à	ð
1			ı	±	Á	Ñ	á	ñ
2			¢	²	Â	Ò	â	ò
3			£	³	Ã	Ó	ã	ó
4			€	Ž	Ä	Ô	ä	ô
5			¥	µ	Å	Õ	å	õ
6			Š	¶	Æ	Ö	æ	ö
7			§	·	Ç	×	ç	÷
8			š	ž	È	Ø	è	ø
9			©	¹	É	Ù	é	ù
A			ª	º	Ê	Ú	ê	ú
B			«	»	Ë	Û	ë	û
C			¬	Œ	Ì	Ü	ì	ü
D			-	œ	Í	Ý	í	ý
E			®	ÿ	Î	Þ	î	þ
F			¯	ı	Ï	ß	ï	ÿ

## WP-T810 Thermal Printer

### 9.36 Code Page 41: PC1098 (Farsi)

	80	90	A0	B0	C0	D0	E0	F0
0		ق	ح	⦿	ل	ع	ک	-
1		ئا	خ	⦿	ت	ء	ک	ی
2	ء	ب	خ	⦿	ت	ع	گ	ی
3	؛	ب	د		ت	غ	گ	-
4	؟	پ	ذ	+	-	خ	ل	ه
5	"	پ	ر	ض	+	غ	ل	۱
6	آ	ن	ز	ظ	ظ	غ	م	۲
7	آ	ن	ن	ط	ع	ف	م	۳
8	ک	ن	س	ط	ط	ف	ن	۴
9	ا	ث	ع			ل	ن	۵
A	ل	چ	ش			ر	و	۶
B	د	ج	ش			■	ه	۷
C	ء	چ	ص			■	ه	۸
D	أ	چ	ط		=	ق	ه	۹
E	آ	خ	»	ظ		ف	ه	■
F	ک	ح	»	ر		■	ی	

# WP-T810 Thermal Printer

## 9.37 Code Page 42: PC1118 (Lithuanian)

	80	90	A0	B0	C0	D0	E0	F0
0	Ç	É	á	☒	Ł	ą	α	≡
1	Ü	æ	í	☒	Ł	č	β	±
2	é	Æ	ó	☒	τ	ę	Γ	≥
3	â	ô	ú		†	è	π	≤
4	ã	ö	ñ	†	—	į	Σ	„
5	â	ò	Ñ	Ą	†	š	σ	“
6	å	û	ª	Č	Ų	ų	μ	÷
7	ç	ù	º	Ę	Ū	ū	τ	≈
8	ê	ÿ	¿	È	Ł	ž	Φ	°
9	ë	õ	ƒ	†	π	ı	Θ	•
A	è	ü	ƒ		Ł	ı	Ω	ˆ
B	ĩ	Φ	½	π	π	■	δ	√
C	î	£	¼	≡	†	■	∞	∞
D	ï	¥	ı	ı	=	■	φ	²
E	Ä	ƒ	«	Š	†	■	ε	■
F	Å	f	»	ı	Ž	■	∩	

# WP-T810 Thermal Printer

## 9.38 Code Page 43: PC1119 (Lithuanian)

	80	90	A0	B0	C0	D0	E0	F0
0	А	Р	а	☐	Л	ą	р	Ė
1	Б	С	б	☐	┘	č	с	ė
2	В	Т	в	☐	т	ę	т	≥
3	Г	У	г	┘	┘	ė	у	≤
4	Д	Ф	д	┘	—	į	ф	„
5	Е	Х	е	Ą	+	š	х	“
6	Ж	Ц	ж	Č	У	у	ц	÷
7	З	Ч	з	Ę	Ū	ū	ч	≈
8	И	Ш	и	Ė	Ц	ž	ш	°
9	Й	Щ	й	┘	Г	┘	щ	•
A	К	Ь	к	┘	┘	Г	ь	•
B	Л	Ы	л	┘	┘	■	ы	√
C	М	Ъ	м	┘	┘	■	ъ	π
D	Н	Э	н	┘	=	■	э	≈
E	О	Ю	о	Š	┘	■	ю	■
F	П	Я	п	┘	ž	■	я	



# WP-T810 Thermal Printer

## 9.39 Code Page 44: PC1125 (Ukrainian)

	80	90	A0	B0	C0	D0	E0	F0
0	А	Р	а	☒	Л	Ц	р	Є
1	Б	С	б	☒	⊥	т	с	ё
2	В	Т	в	☒	т	п	т	Г
3	Г	У	г	І	†	ц	у	Г
4	Д	Ф	д	†	—	ѐ	ф	Є
5	Е	Х	е	‡	†	ґ	х	є
6	Ж	Ц	ж	‡	†	п	ц	І
7	З	Ч	з	п	†	†	ч	і
8	И	Ш	и	‡	ц	†	ш	ї
9	Й	Щ	й	‡	ґ	Ј	щ	ї
A	К	Ъ	к	‡	ц	ґ	ъ	÷
B	Л	Ы	л	п	т	■	ы	±
C	М	Ь	м	ц	†	■	ь	№
D	Н	Э	н	ц	=	■	э	¤
E	О	Ю	о	‡	†	■	ю	■
F	П	Я	п	†	±	■	я	

# WP-T810 Thermal Printer

## 9.40 Code Page 45: WPC1250 (Central European)

	80	90	A0	B0	C0	D0	E0	F0
0	€		(SP)	°	Ř	Đ	í	đ
1		‘	ˇ	±	Á	Ń	á	ń
2	,	’	ˇ	˘	Â	Ň	â	ň
3		“	ł	†	Ǻ	Ó	ǻ	ó
4	„	”	ꝛ	’	Ǻ	Ô	ǻ	ô
5	...	•	Ą	μ	Ł	Ö	í	ő
6	†	—	ı	¶	Ć	Ö	ć	ö
7	‡	—	§	·	Ç	×	ç	÷
8			¨	˘	Č	Ř	č	ř
9	‰	™	©	ą	É	Û	é	û
A	Š	š	Ş	ş	Ę	Ú	ę	ú
B	‹	›	«	»	Ë	Ů	ë	ů
C	Ś	ś	¬	Ł	Ě	Ü	ś	ü
D	Ť	ť	-	“	Í	Ý	í	ý
E	Ž	ž	®	ı	Î	Ț	î	ț
F	Ž	ž	Ž	ž	Ď	ß	ď	·

# WP-T810 Thermal Printer

## 9.41 Code Page 46: WPC1251 (Cyrillic)

	80	90	A0	B0	C0	D0	E0	F0
0	Ъ	ђ	(SP)	°	А	Р	а	р
1	Ѓ	‘	Ў	±	Б	С	б	с
2	,	’	ў	І	В	Т	в	т
3	ѓ	“	Ј	і	Г	У	г	у
4	„	”	ѡ	ѓ	Д	Ф	д	ф
5	...	•	Ѓ	μ	Е	Х	е	х
6	†	–	і	ђ	Ж	Ц	ж	ц
7	‡	—	§	·	З	Ч	з	ч
8	€		Ё	ё	И	Ш	и	ш
9	‰	™	©	№	Й	Щ	й	щ
A	Љ	љ	Є	є	К	Ъ	к	ъ
B	‹	›	«	»	Л	Ы	л	ы
C	Њ	њ	џ	ј	М	Ь	м	ь
D	Ќ	ќ	-	Ѕ	Н	Э	н	э
E	Ћ	ћ	®	ѕ	О	Ю	о	ю
F	џ	џ	ї	ї	П	Я	п	я

# WP-T810 Thermal Printer

## 9.42 Code Page 47: WPC1253 (Greek)

	80	90	A0	B0	C0	D0	E0	F0
0	€		NB	°	ï	Π	ü	π
1		‘	˘	±	Α	Ρ	α	ρ
2	,	’	Α	²	Β		β	ς
3	f	“	£	³	Γ	Σ	γ	σ
4	„	”	α	’	Δ	Τ	δ	τ
5	...	•	¥	μ	Ε	Υ	ε	υ
6	†	–	¡	¶	Ζ	Φ	ζ	φ
7	‡	—	§	·	Η	Χ	η	χ
8			¨	Έ	Θ	Ψ	θ	ψ
9	‰	™	©	Ή	Ι	Ω	ι	ω
A				1	Κ	Ϊ	κ	ϊ
B	<	>	«	»	Λ	Ϋ	λ	ϋ
C			¬	Ό	Μ	ά	μ	ό
D			-	½	Ν	έ	ν	ύ
E			®	Υ	Ξ	ή	ξ	ώ
F			—	Ω	Ο	ί	ο	

# WP-T810 Thermal Printer

## 9.43 Code Page 48: WPC1254 (Turkish)

	80	90	A0	B0	C0	D0	E0	F0
0	€		(SP)	°	À	Ǧ	à	ǧ
1		‘	ı	±	Á	Ñ	á	ñ
2	,	’	ç	²	Â	Ò	â	ò
3	f	“	£	³	Ã	Ó	ã	ó
4	„	”	¤	´	Ä	Ô	ä	ô
5	...	•	¥	µ	Å	Õ	å	õ
6	†	–	ı	¶	Æ	Ö	æ	ö
7	‡	—	§	·	Ç	×	ç	÷
8	^	~	¨	¸	È	Ø	è	ø
9	‰	™	©	¹	É	Ù	é	ù
A	Š	š	ª	º	Ê	Ú	ê	ú
B	‹	›	«	»	Ë	Û	ë	û
C	Œ	œ	¬	¼	Ì	Ü	ì	ü
D			-	½	Í	İ	í	ı
E			®	¾	Î	Ş	î	ş
F		ÿ	¯	¿	Ï	ß	ï	ÿ

# WP-T810 Thermal Printer

## 9.44 Code Page 49: WPC1255 (Hebrew)

	80	90	A0	B0	C0	D0	E0	F0
0	€			°	.		א	ב
1		‘	ı	±	..	.	ב	ס
2	,	’	φ	2	..	.	א	ב
3	f	“	£	3	..	:	ד	ה
4	”	”	©	^	.	ן	ה	ו
5	...	•	¥	μ	..	ן	ו	ז
6	†	—	ı	¶	..	”	ז	ח
7	‡	—	§	•	—	’	ח	ט
8	^	~	..	ı	..	”	ט	י
9	%	™	©	1	.		י	כ
A			×	÷			י	ל
B	<	>	«	»	..		י	
C			ı	$\frac{1}{4}$	.		י	
D			—	$\frac{1}{2}$	.		י	
E			®	$\frac{3}{4}$	—		י	
F			—	ı	—		י	

# WP-T810 Thermal Printer

## 9.45 Code Page 50: WPC1256 (Arabic)

	80	90	A0	B0	C0	D0	E0	F0
0	€	ك		°	^	ذ	â	"
1	پ	‘	،	±	ء	ر	ل	ء
2	،	”	φ	²	آ	ن	â	"
3	f	“	£	³	أ	س	م	’
4	”	”	¤	´	ؤ	ش	ن	ô
5	…	•	¥	µ	ل	ص	ه	ء
6	†	—	—	¶	ئ	ض	و	،
7	‡	—	§	·	ا	×	ق	÷
8	^	ك	∴	ر	ب	ط	è	ء
9	%	™	©	1	ة	ظ	é	ù
A	ت	ث	ه	؛	ن	ع	ê	°
B	<	>	«	»	ث	غ	ë	û
C	œ	œ	ر	¼	ج	ا	ى	ü
D	ج		—	½	ح	ف	ي	
E	ن		®	¾	خ	ق	î	
F	ك	س	—	؟	ر	ك	ï	ء

# WP-T810 Thermal Printer

## 9.46 Code Page 51: WPC1257 (Baltic)

	80	90	A0	B0	C0	D0	E0	F0
0	€		(SP)	°	Ą	Š	ą	š
1		‘		±	Į	Ń	į	ń
2	,	’	¢	²	Ā	Ņ	ā	ņ
3		“	£	³	Ć	Ó	ć	ó
4	„	”	¤	´	Ä	Õ	ä	õ
5	...	•		µ	Å	Ö	å	ö
6	†	–	¦	¶	Ę	Ö	ę	ö
7	‡	—	§	·	Ē	×	ē	÷
8			Ø	ø	Č	Ů	č	ů
9	‰	™	©	¹	É	Ł	é	ł
A			Ŕ	ŗ	Ż	Ś	ż	ś
B	‹	›	«	»	Ě	Ů	ě	ů
C			¬	¼	Ģ	Ü	ģ	ü
D	¨	¯	SHY	½	Ķ	Ž	ķ	ž
E	˘	˙	®	¾	Ī	Ž	ī	ž
F	¸		Æ	æ	Ł	ß	ł	·



# WP-T810 Thermal Printer

## 9.47 Code Page 52: WPC1258 (Vietnamese)

	80	90	A0	B0	C0	D0	E0	F0
0	€		(SP)	°	À	Đ	à	đ
1		‘	ı	±	Á	Ñ	á	ñ
2	,	’	ç	²	Â	˘	â	.
3	f	“	£	³	Ã	Ó	ã	ó
4	„	”	¤	´	Ä	Ô	ä	ô
5	...	•	¥	µ	Å	Ơ	å	ơ
6	†	–	ı	¶	Æ	Ö	æ	ö
7	‡	—	§	·	Ç	×	ç	÷
8	^	~	¨	¸	È	Ø	è	ø
9	‰	™	©	¹	É	Ù	é	ù
A			ª	º	Ê	Ú	ê	ú
B	<	>	«	»	Ë	Û	ë	û
C	Œ	œ	¬	¼	Ë	Ü	ü	
D			-	½	Í	Ư	í	ư
E			®	¾	Î	~	î	đ
F		ÿ	¯	¿	Ï	ß	ï	ÿ

# WP-T810 Thermal Printer

## 9.48 Code Page 53: KZ1048 (Kazakhstan)

	80	90	A0	B0	C0	D0	E0	F0
0	Ғ	Һ		°	А	Р	а	р
1	Ғ	‘	Ұ	±	Б	С	б	с
2	,	’	Ұ	І	В	Т	в	т
3	Ғ	“	Ә	і	Г	У	г	у
4	„	”	Ӓ	Ө	Д	Ф	д	ф
5	...	•	Ө	Ц	Е	Х	е	х
6	†	—	!	П	Ж	Ц	ж	ц
7	‡	—	§	·	З	Ч	з	ч
8	€		Ё	ё	И	Ш	и	ш
9	‰	™	©	№	Й	Щ	й	щ
A	Љ	љ	Ғ	Ғ	К	Ъ	к	ъ
B	<	>	«	»	Л	Ы	л	ы
C	Њ	њ	¬	Ә	М	Ь	м	ь
D	Қ	қ	—	Ң	Н	Э	н	э
E	Һ	Һ	®	Ң	О	Ю	о	ю
F	Ұ	ұ	Ү	ү	П	Я	п	я

# WP-T810 Thermal Printer

## 10 External Dimensions

