



VariPOS

The POS System of Forward Thinking

Strengthen Your Business With These Benefits

- Intel® Bay Trail (Celeron J1900)
- Intel® Ivy Bridge(Celeron 1037U / Core i3-3217U) CPU
- All-in-One FANLESS POS System
- 15" zero-bezel with resistive touch / PCAP touch (optional)
- LED backlight for power saving
- Flexible architectures for peripheral
MSR / iButton / Fingerprint / VFD / second display supported
- Die-casting aluminum housing with IP66 certification
- Colorful plastic cover to lighten business identification
- Hidden cable management for space management
- Reliable and consistent quality to Point-of-Sales requirement



uperior Performance

Integrated with the latest Intel Bay Trail / Ivy Bridge CPU for advanced processing power.

treamlined Upgrade

All of the cutting-edge benefits of the original, reliable VariPOS have been improved, including a FANLESS design



plendid Functionality

Modularized design for ease of maintenance, consistent peripheral connection, and slim design with a small footprint

atisfy Market Demand

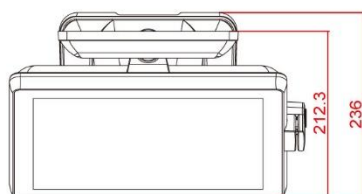
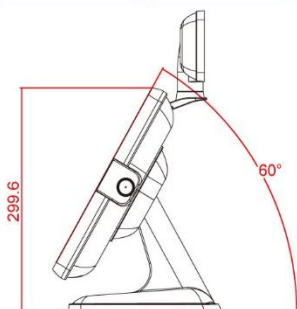
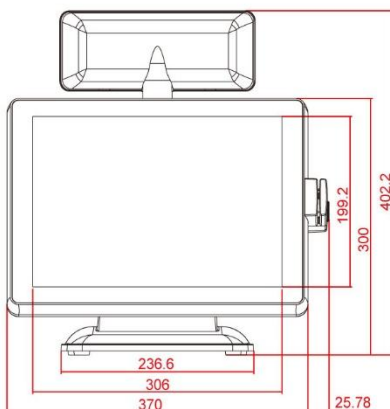
LED backlight LCD, PCT touchscreen, True-flat glass surface, Fanless ventilation, Aluminum housing, and a Stylish appearance

Specification

Model Name		VariPOS 715S	VariPOS 815S
Main Board	CPU	Intel® Celeron J1900 dual-core 2.0GHz (2MB Cache)	Intel® Celeron 1037U dual-core 1.8GHz (2MB Cache) Intel® Core i3-3217U dual-core 1.8GHz (3MB Cache)
	Chipset	CPU Integrated	Intel® PCH HM76
	System Memory	1 x DDR3 SO-DIMM up to 8GB	1 x DDR3 SO-DIMM, up to 8GB
Display	TFT LCD	15" LED Backlight	
	Brightness	250nits	
	Resolution	1024 x 768	
	Touch Screen	True Flat Projected Capacitive Technology / True Flat 5-Wire Resistive	
Storage	HDD / SSD Type	1 x SATA 2.5" HDD or SSD	1 x SATA 2.5" HDD or SSD
I/O Ports -External	DC Power Input	1 x Mini Din 4P (DC 19V only)	
	Cash Drawer	1 x RJ-11 (12V or 24V[default])	
	Network (LAN)	1 x Gigabit Ethernet by RJ-45	
	USB Port	4 x USB 2.0 / 1 x USB 3.0	4 x USB 2.0 / 2 x USB 3.0
	Serial Port	3 x RS-232(RJ48 connector) [COM1/COM2(5V), COM3(12V),Power enabled by BIOS setting(default disable)]	
	VGA Port	1 x DB-15 VGA Port	
	Power ON/OFF	1 x power on/off switch button	
I/O Ports -Internal	Card Reader & iButton	COM6 : Internal Pin header for Card Reader & iButton	
	Audio	HD Audio, 2W Speaker x 2	
	Bus Expansion	1 x Mini-PCI-E Slot	
Compliance	IP66 on front panel		
OS Support	Windows 7, POSready 7		
Power Supply	External adapter 65 watts, Voltage:+19VDC 3.42A max		
Material	Main Unit: Die-casting aluminum ; I/O Cover: Plastic (black)		
Color	Main Unit: Black		
Certifications	CE, FCC, RoHS		
Dimension (W x H x D)	370 x 300 x 236 mm		
Weight	5.68 Kg		
VESA Mounting	100 x 100 mm		
Operating Temperature	0°C ~ 40°C, 10% ~ 90% RH, non-condensing		
Storage Temperature	-20°C ~ 60°C, 10% ~ 90% RH, non-condensing		

*The right has been reserved to change the specification without prior notice.

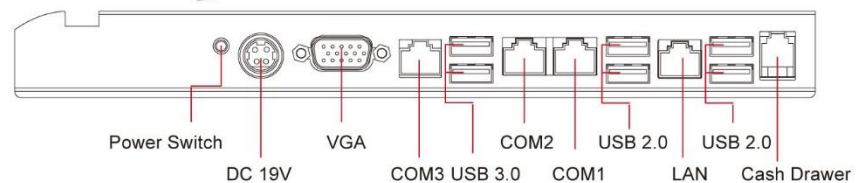
Dimensions



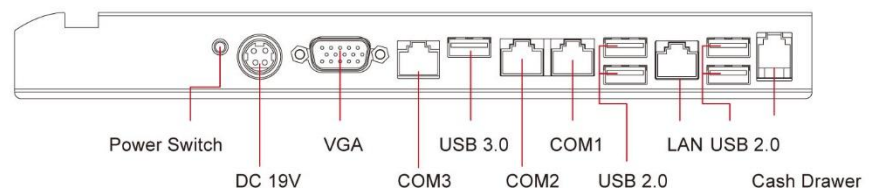
unit:mm

IO Interface

VariPOS 815



VariPOS 715





VariPOS 

Order Information

Fanless 15" VariPOS 715S with Intel Celeron J1900
Fanless 15" VariPOS 815S with Intel Celeron 1037U
Fanless 15" VariPOS 815S with Intel Core i3 3217U

Optional Accessories:

VFD: 2 x 20 attached VFD
MSR: Front, 3 tracks RS-232 type or PS/2 type
MSR & iButton: MSR-Front & iButton, RS-232 type or PS/2 type

Touch screen Type

True Flat PCT (Projective Capacitive Technology)
True Flat 5-wire Resistive

Fingerprint Reader: USB
RFID: USB, 13.56MHz Read / Write
7" 2nd display: Resolution 800 x 600
10.4" 2nd display: Resolution 800 x 600

